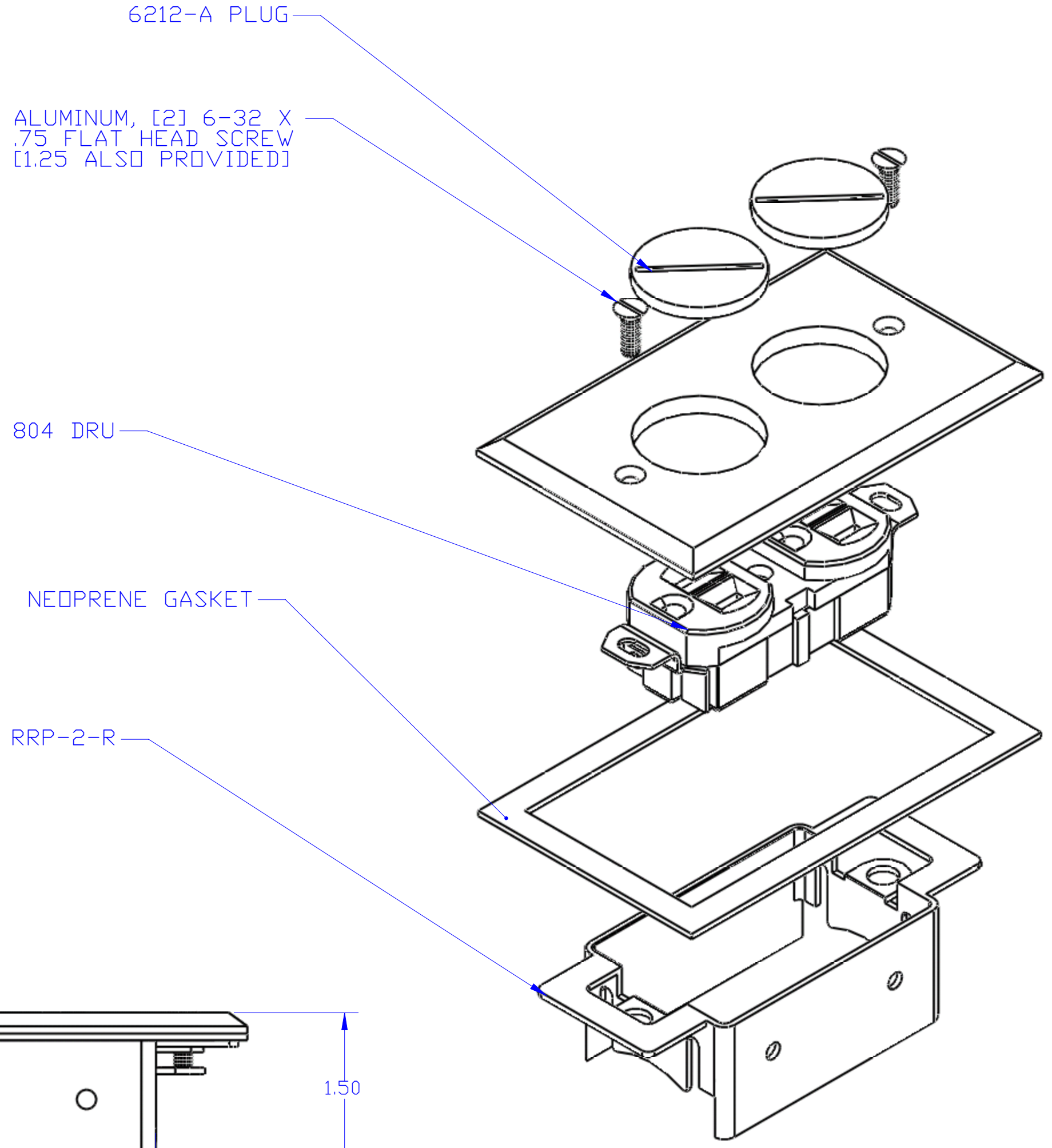
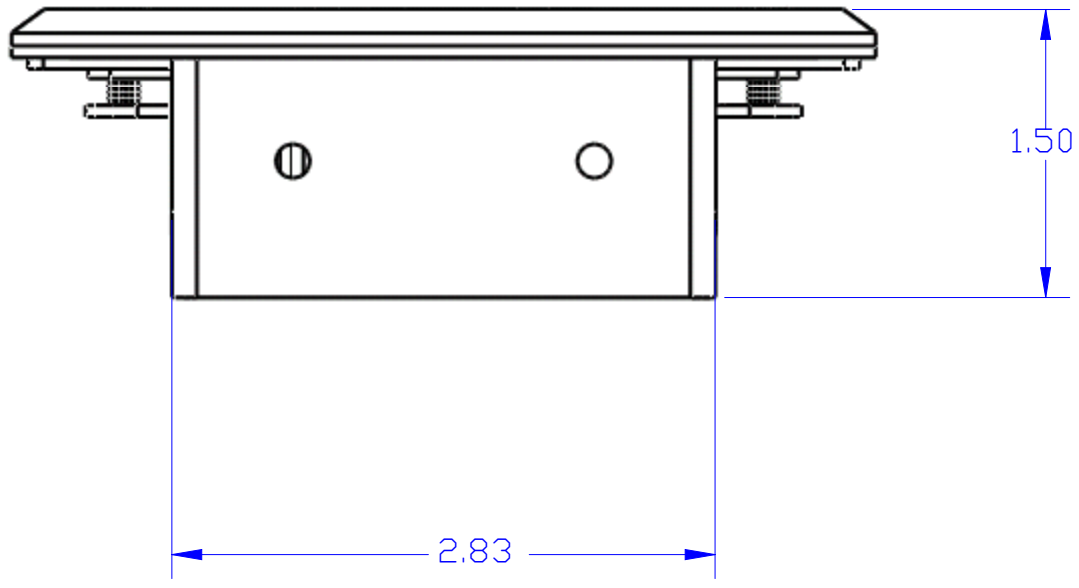
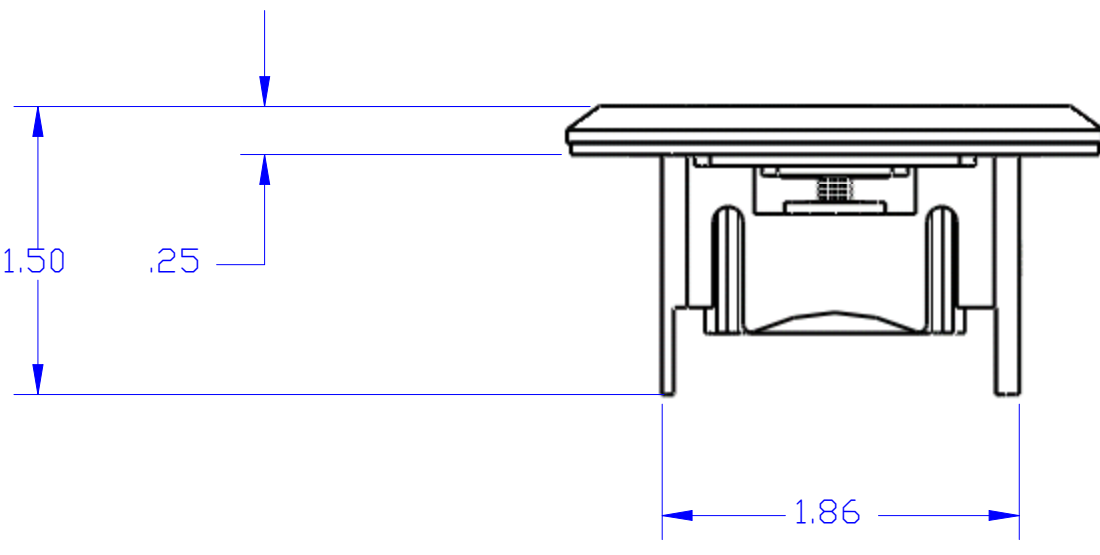
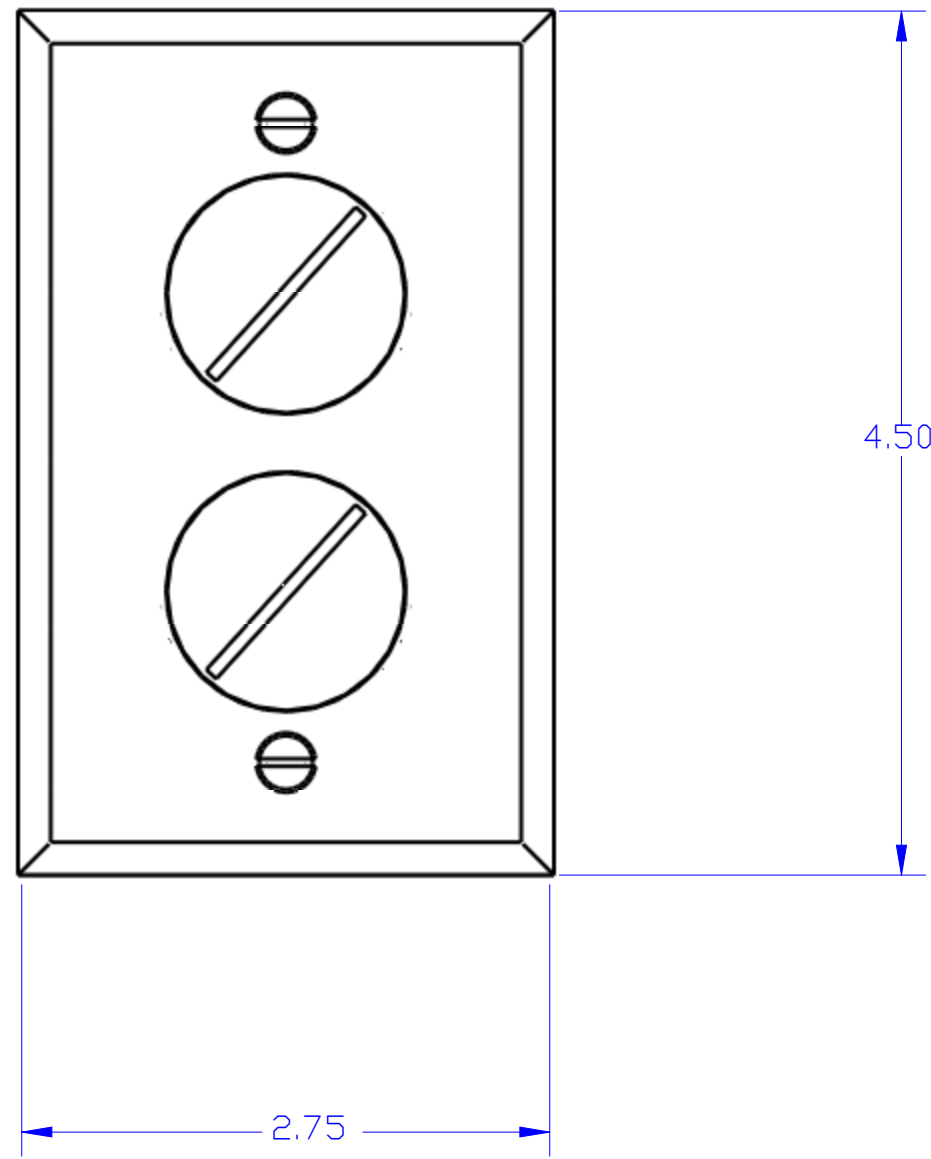


DESCRIPTION:  
ALUMINUM, RECESSED FLOOR PLATE ASSEMBLY  
(DUPLEX RECEPTACLE)



**LEW ELECTRIC**  
**FITTINGS COMPANY**  
SERVING THE ELCTRICAL INDUSTRY SINCE 1901  
1801 W. St. Charles Rd. Maywood, IL 60153  
PHONE: 708-345-2075

UNLESS OTHERWISE SPECIFIED:	NAME	DATE	TITLE: <b>RRP-2-A</b>
DIMENSIONS ARE IN INCHES	DRAWN	11/30/2007	
TOLERANCES:			SIZE DWG. NO. REV <b>C</b> 1001110 <b>A</b>
FRACTIONAL ±			
ANGULAR: MACH ± BEND ±			
TWO PLACE DECIMAL ±			
THREE PLACE DECIMAL ±			WEIGHT:
INTERPRET GEOMETRIC TOLERANCING PER:	COMMENTS:		SHEET 4 OF 12
MATERIAL			
FINISH			
DO NOT SCALE DRAWING			