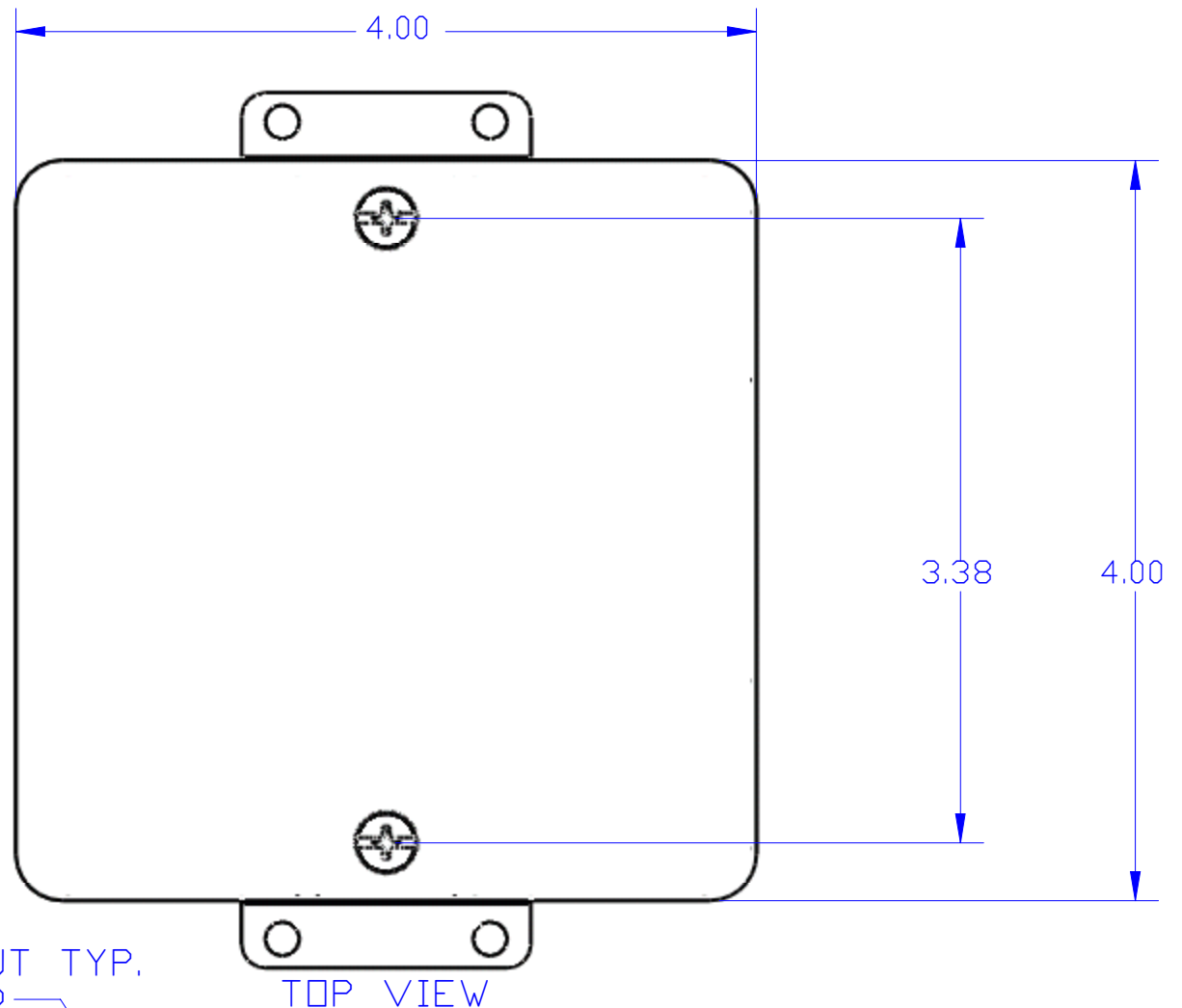
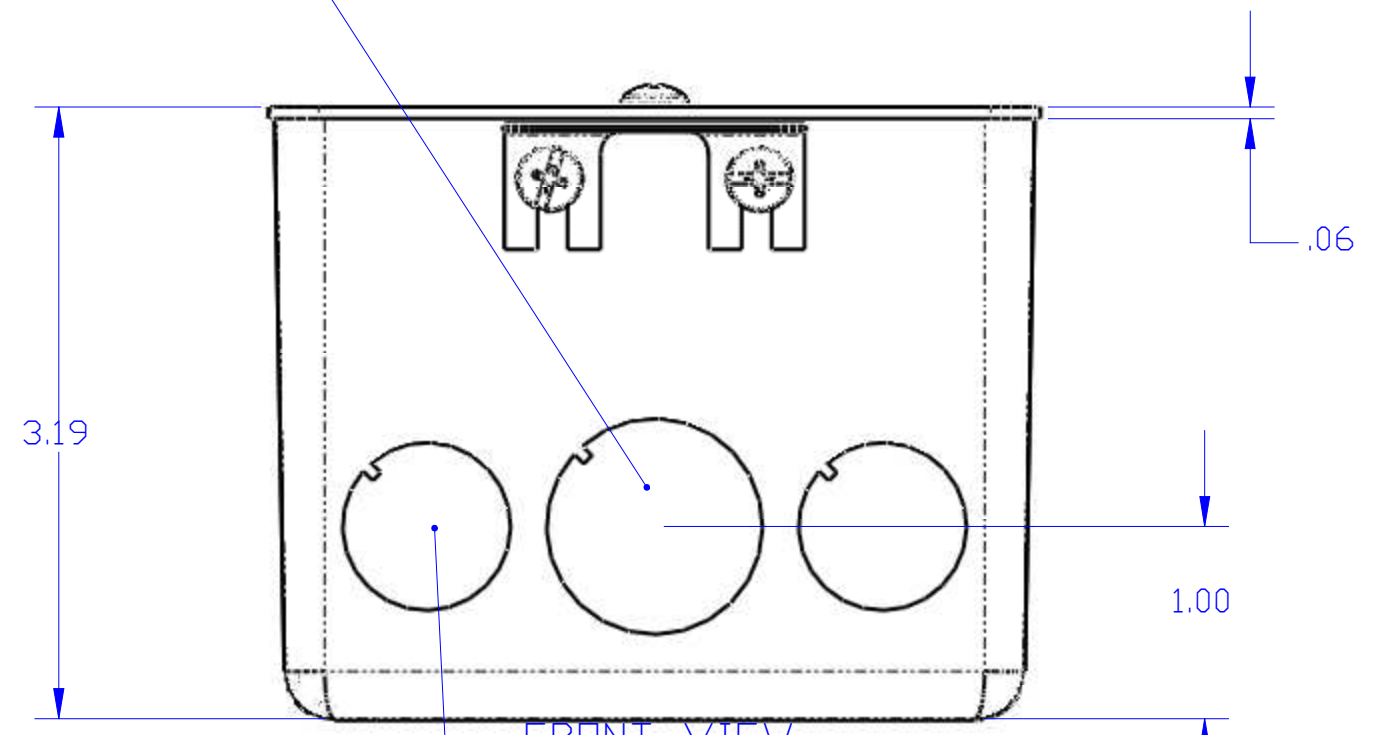


DESCRIPTION:  
WOOD FLOOR BOX FOR PUFF PLATES



TOP VIEW

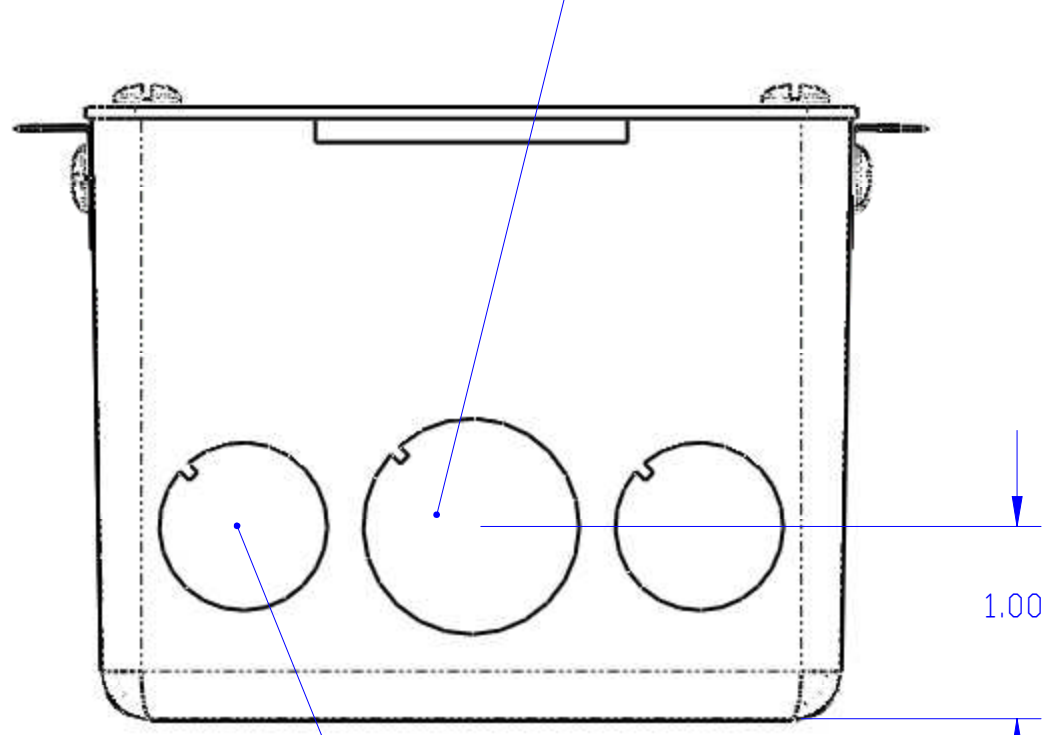
3/4" KNOCK-OUT TYP.  
(OPPOSITE SIDE)



FRONT VIEW

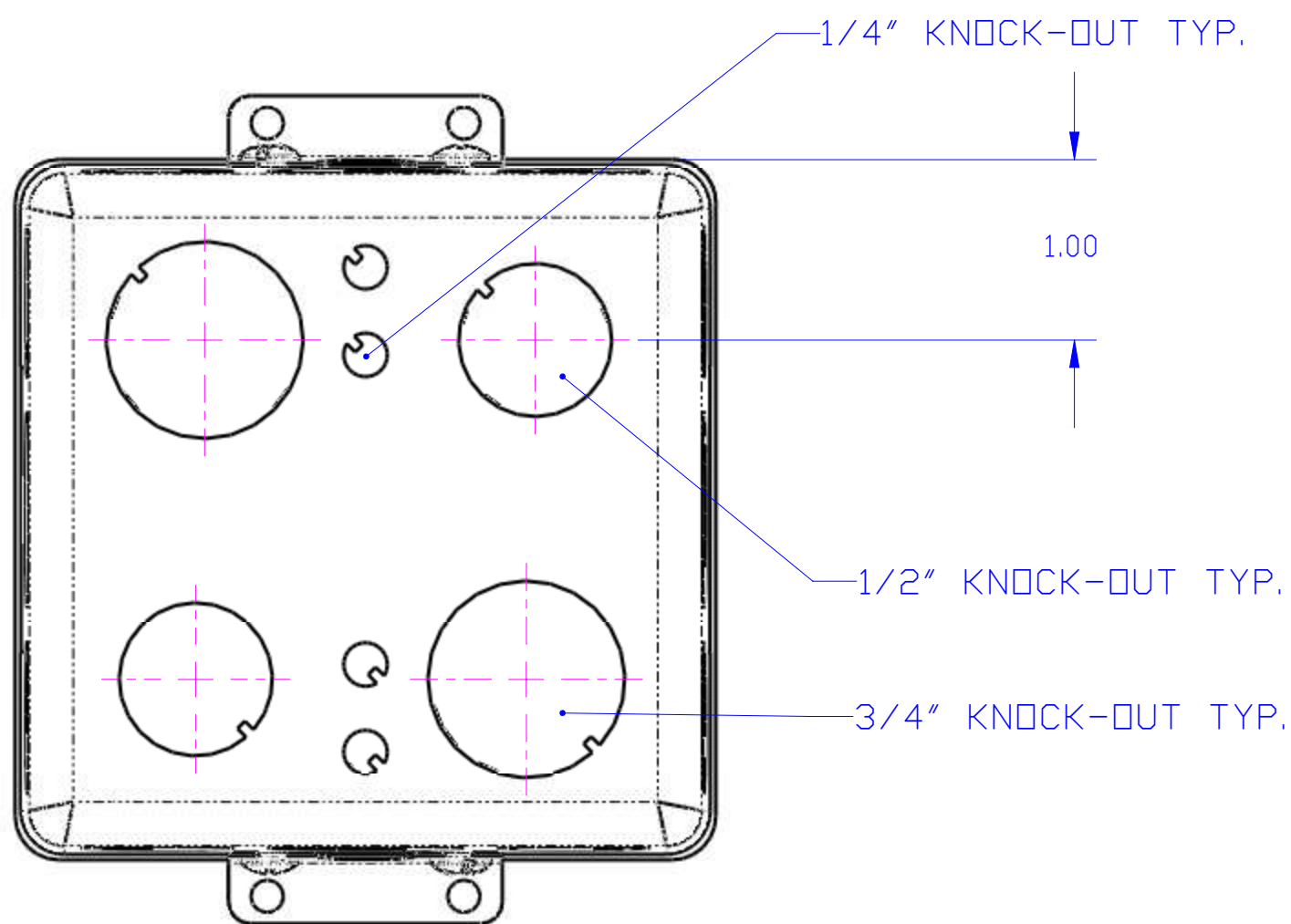
1/2" KNOCK-OUT TYP.  
(OPPOSITE SIDE)

3/4" KNOCK-OUT TYP.  
(OPPOSITE SIDE)



RIGHT SIDE VIEW

1/2" KNOCK-OUT TYP.  
(OPPOSITE SIDE)



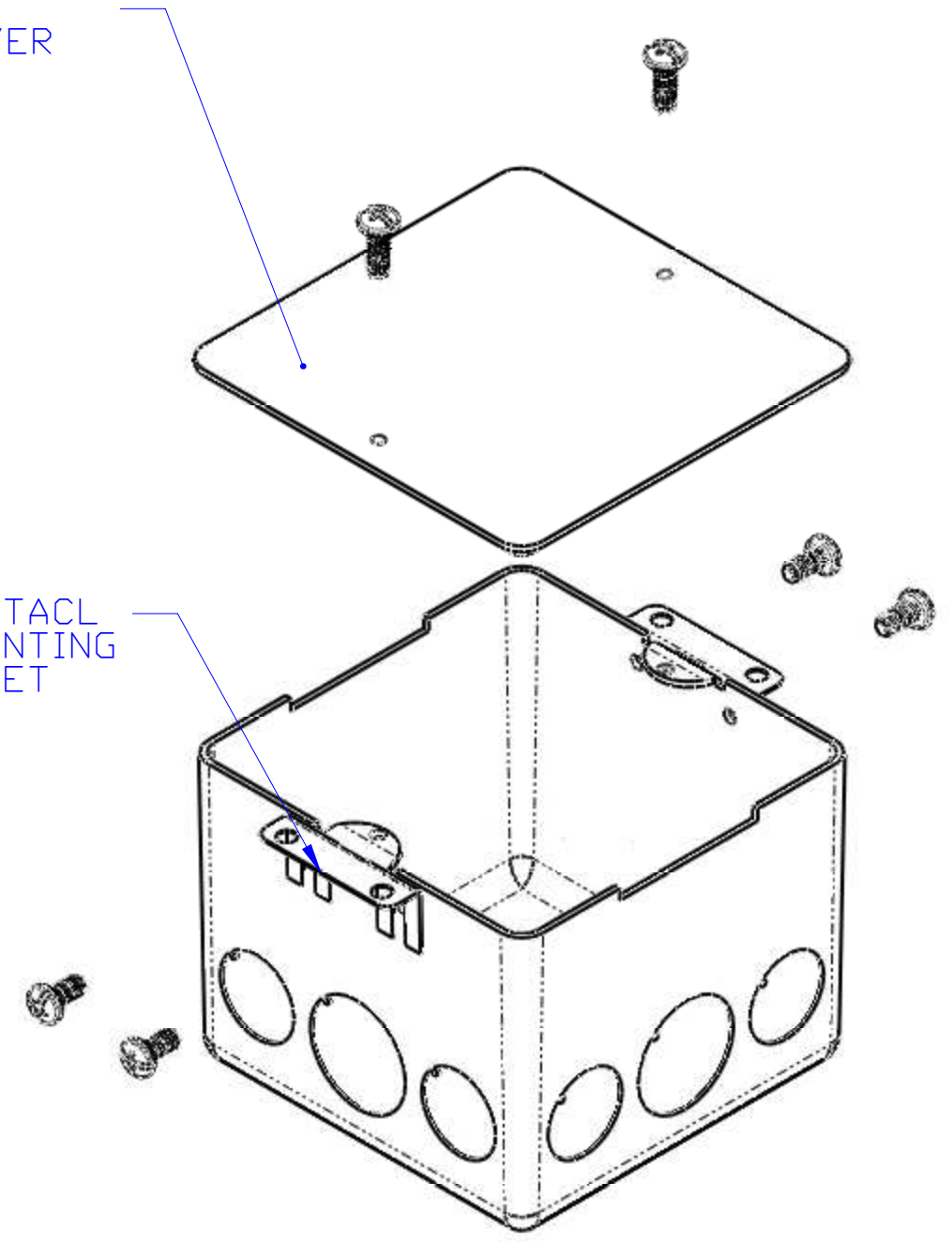
BOTTOM VIEW

1/2" KNOCK-OUT TYP.

3/4" KNOCK-OUT TYP.

PROTECTIVE  
PLASTIC COVER

RECEPTACLE  
MOUNTING  
BRACKET



EXPLODED VIEW

**LEW ELECTRIC**  
**FITTINGS COMPANY**  
SERVING THE ELECTRICAL INDUSTRY SINCE 1901  
1801 W. St. Charles Rd. Maywood, IL 60153  
PHONE: 708-345-2075

UNLESS OTHERWISE SPECIFIED:		NAME	DATE	TITLE: <b>PUFP-WB</b>
DIMENSIONS ARE IN INCHES		DRAWN	PJG 12/6/2007	
TOLERANCES:				SIZE DWG. NO. REV <b>C</b> 100183 <b>A</b>
FRACTIONAL ±				
ANGULAR: MATCH ± BEND ±				
TWO PLACE DECIMAL ±				
THREE PLACE DECIMAL ±				WEIGHT: SHEET 1 OF 2
INTERPRET GEOMETRIC TOLERANCING PER:		COMMENTS:		
MATERIAL:				
FINISH:				
DO NOT SCALE DRAWING				