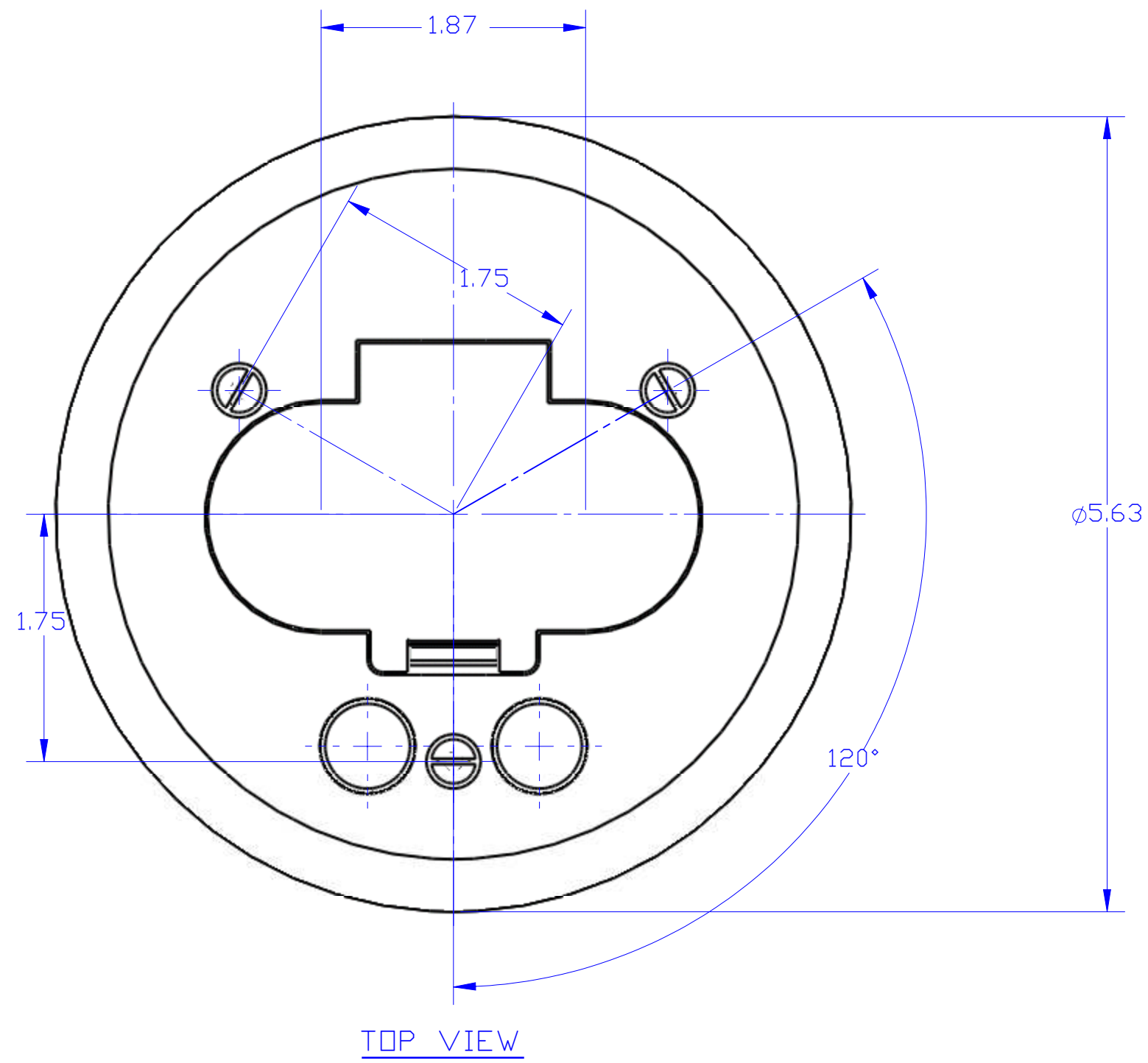


DESCRIPTION:
 TAN PLASTIC FLANGED COVER, WITH SINGLE
 FLIP LID & GFI/DECDRA MOUNT. PLT.



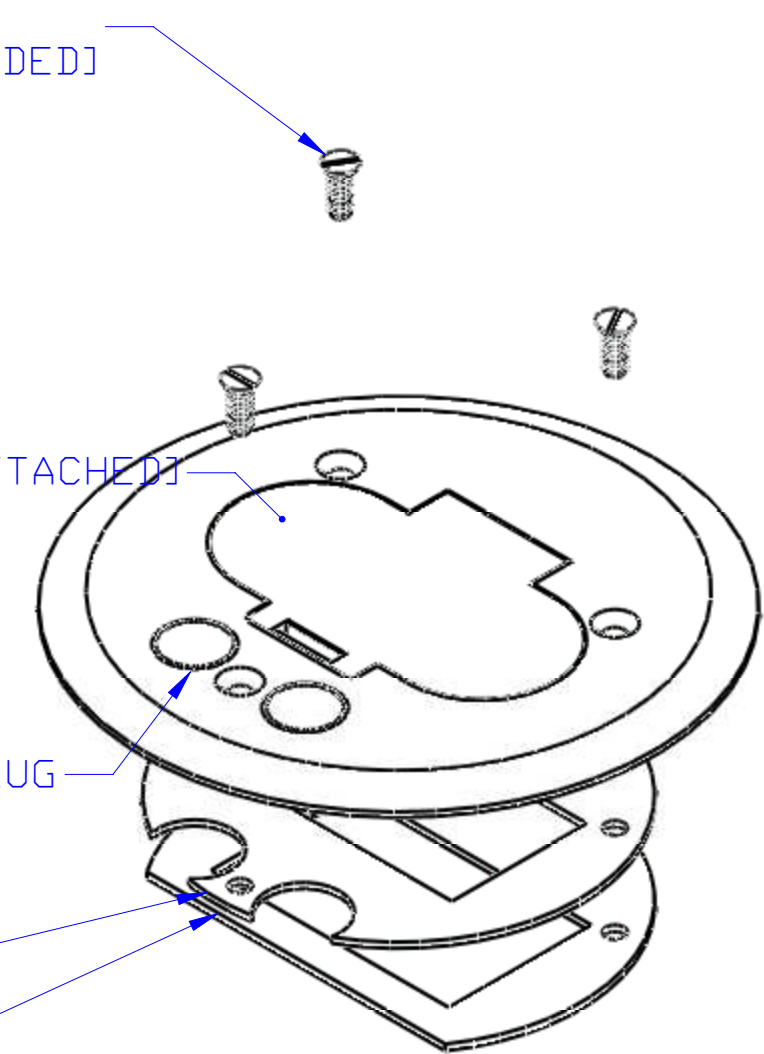
[3] 8-32 X .75
 FLAT HEAD SCREW [PROVIDED]

PLASTIC FLIP COVER [ATTACHED]

REMOVABLE DATA/COM PLUG

DFB-3-GFI

525-DP-GFI



LEW ELECTRIC
FITTINGS COMPANY
 SERVING THE ELCTRICAL INDUSTRY SINCE 1901
 1801 W. St. Charles Rd. Maywood, IL 60153
 PHONE: 708-345-2075

UNLESS OTHERWISE SPECIFIED:	NAME	DATE	TITLE: PFC-T-GFI
DIMENSIONS ARE IN INCHES	DRAWN	12/6/2007	
TOLERANCES:			SIZE DWG. NO. REV C 1001960 A
FRACTIONAL ±			
ANGULAR: MACH ± BEND ± TWO PLACE DECIMAL ± THREE PLACE DECIMAL ±			
INTERPRET GEOMETRIC TOLERANCING PER:	COMMENTS:		WEIGHT: SHEET 14 OF 18
MATERIAL			
FINISH			
DO NOT SCALE DRAWING			