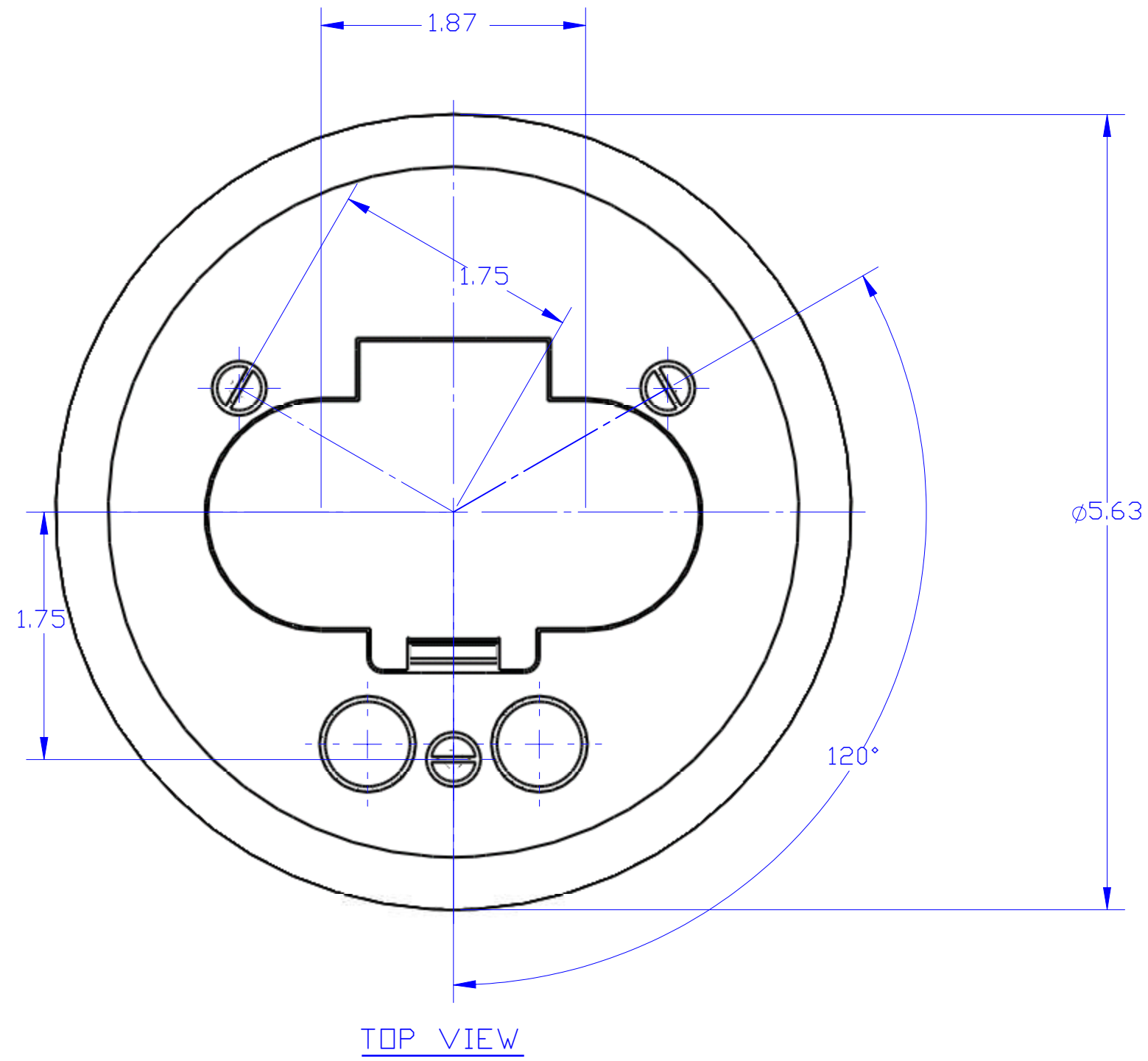


DESCRIPTION:  
 GRAY PLASTIC FLANGED COVER, WITH SINGLE  
 FLIP LID & SINGLE RECEPT/DATA PLT.



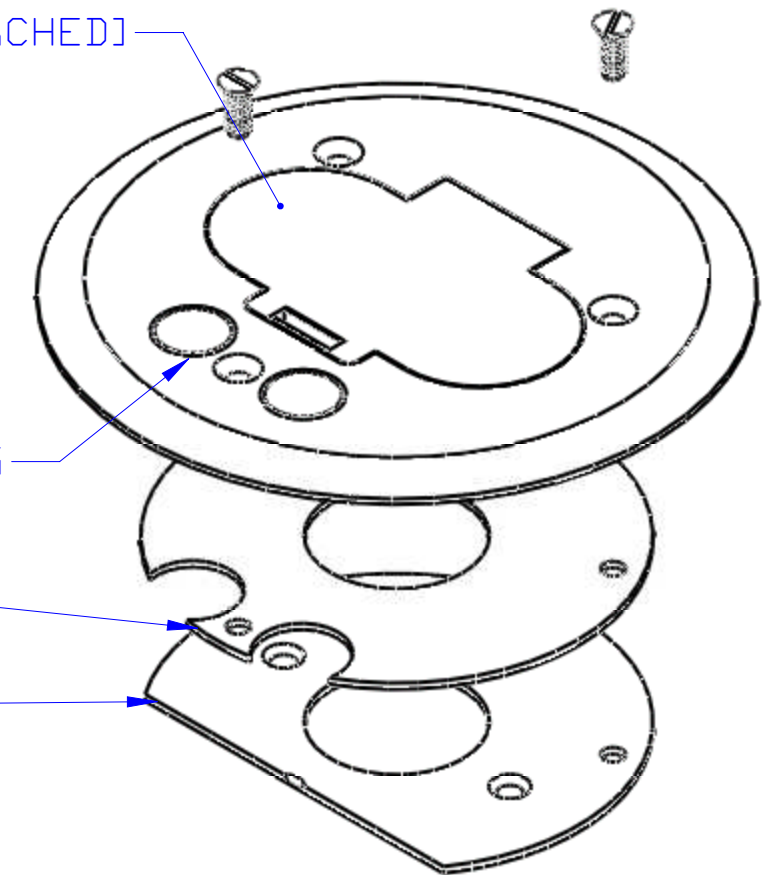
[3] 8-32 X .75  
 FLAT HEAD SCREW [PROVIDED]

PLASTIC FLIP COVER [ATTACHED]

REMOVABLE DATA/COM PLUG

525

DFB-3-TEL



**LEW ELECTRIC**  
**FITTINGS COMPANY**  
 SERVING THE ELCTRICAL INDUSTRY SINCE 1901  
 1801 W. St. Charles Rd. Maywood, IL 60153  
 PHONE: 708-345-2075

UNLESS OTHERWISE SPECIFIED:	NAME	DATE	TITLE: <b>PFC-S-TEL</b>
DIMENSIONS ARE IN INCHES	DRAWN	12/6/2007	
TOLERANCES:			SIZE DWG. NO. REV <b>C</b> 1001940 <b>A</b>
FRACTIONAL ±			
ANGULAR: MACH ± BEND ±			
TWO PLACE DECIMAL ±			
THREE PLACE DECIMAL ±			WEIGHT:
INTERPRET GEOMETRIC TOLERANCING PER:	COMMENTS:		SHEET 12 OF 18
MATERIAL			
FINISH			
DO NOT SCALE DRAWING			