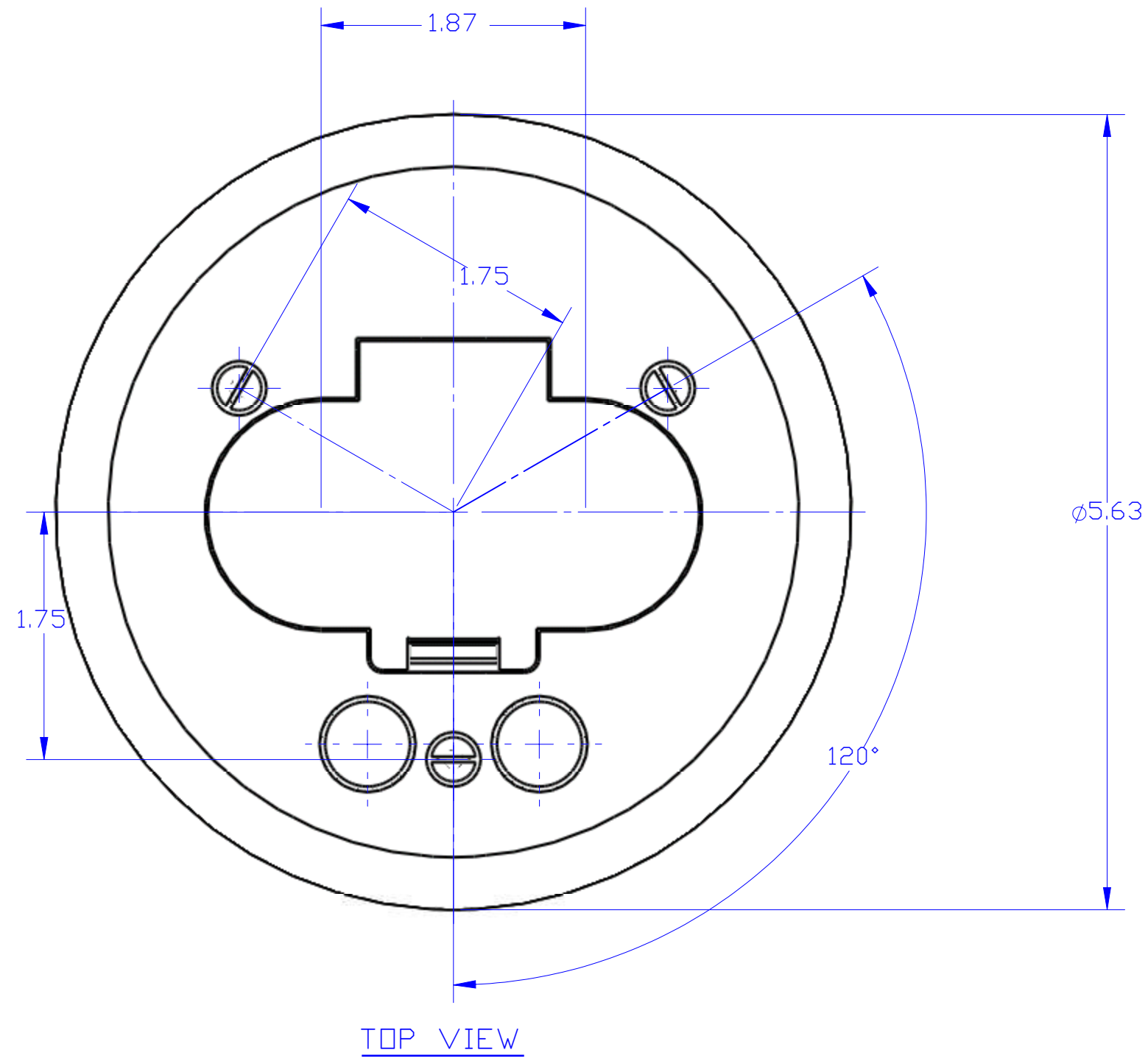


DESCRIPTION:
 GOLD PLASTIC FLANGED COVER, WITH SINGLE
 FLIP LID & SINGLE RECEPT/DATA PLT.



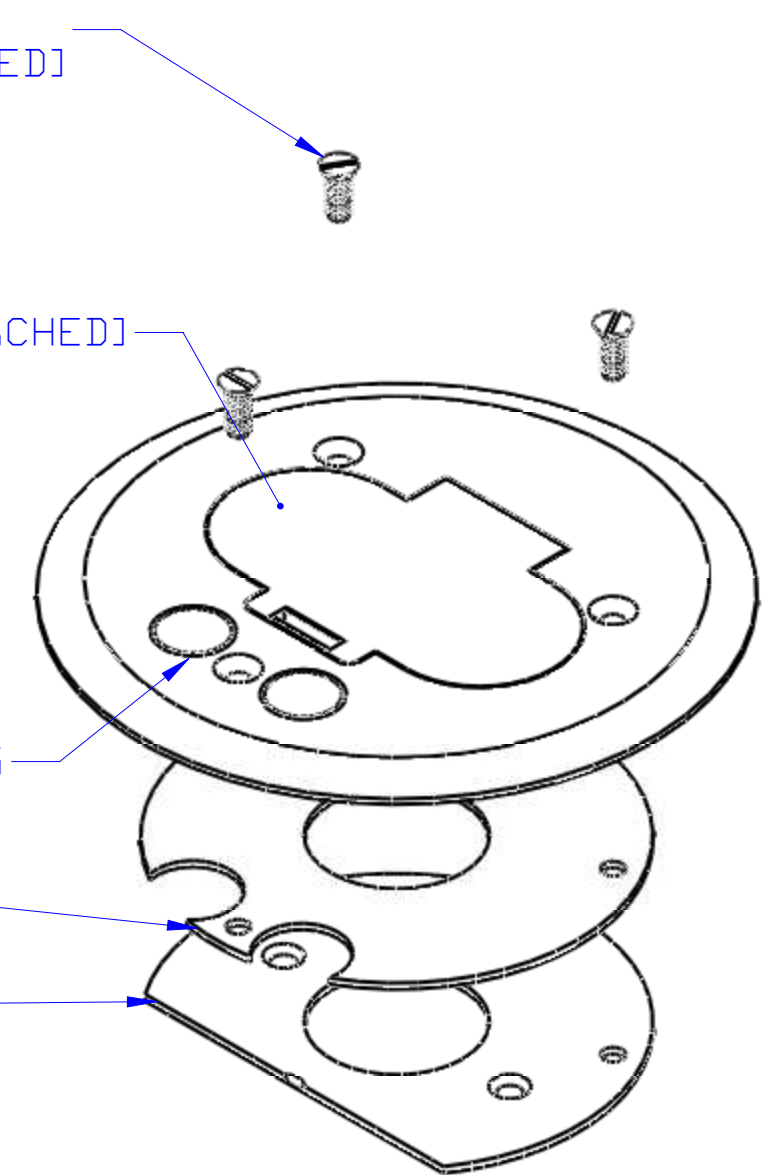
[3] 8-32 X .75
 FLAT HEAD SCREW [PROVIDED]

PLASTIC FLIP COVER [ATTACHED]

REMOVABLE DATA/COM PLUG

525

DFB-3-TEL



LEW ELECTRIC
FITTINGS COMPANY
 SERVING THE ELCTRICAL INDUSTRY SINCE 1901
 1801 W. St. Charles Rd. Maywood, IL 60153
 PHONE: 708-345-2075

UNLESS OTHERWISE SPECIFIED:	NAME	DATE	TITLE: PFC-G-TEL
DIMENSIONS ARE IN INCHES	DRAWN	12/6/2007	
TOLERANCES:			SIZE DWG. NO. REV C 1001910 A
FRACTIONAL ±			
ANGULAR: MACH ± BEND ±			
TWO PLACE DECIMAL ±			
THREE PLACE DECIMAL ±			WEIGHT:
INTERPRET GEOMETRIC TOLERANCING PER:	COMMENTS:		SHEET 9 OF 18
MATERIAL			
FINISH			
DO NOT SCALE DRAWING			