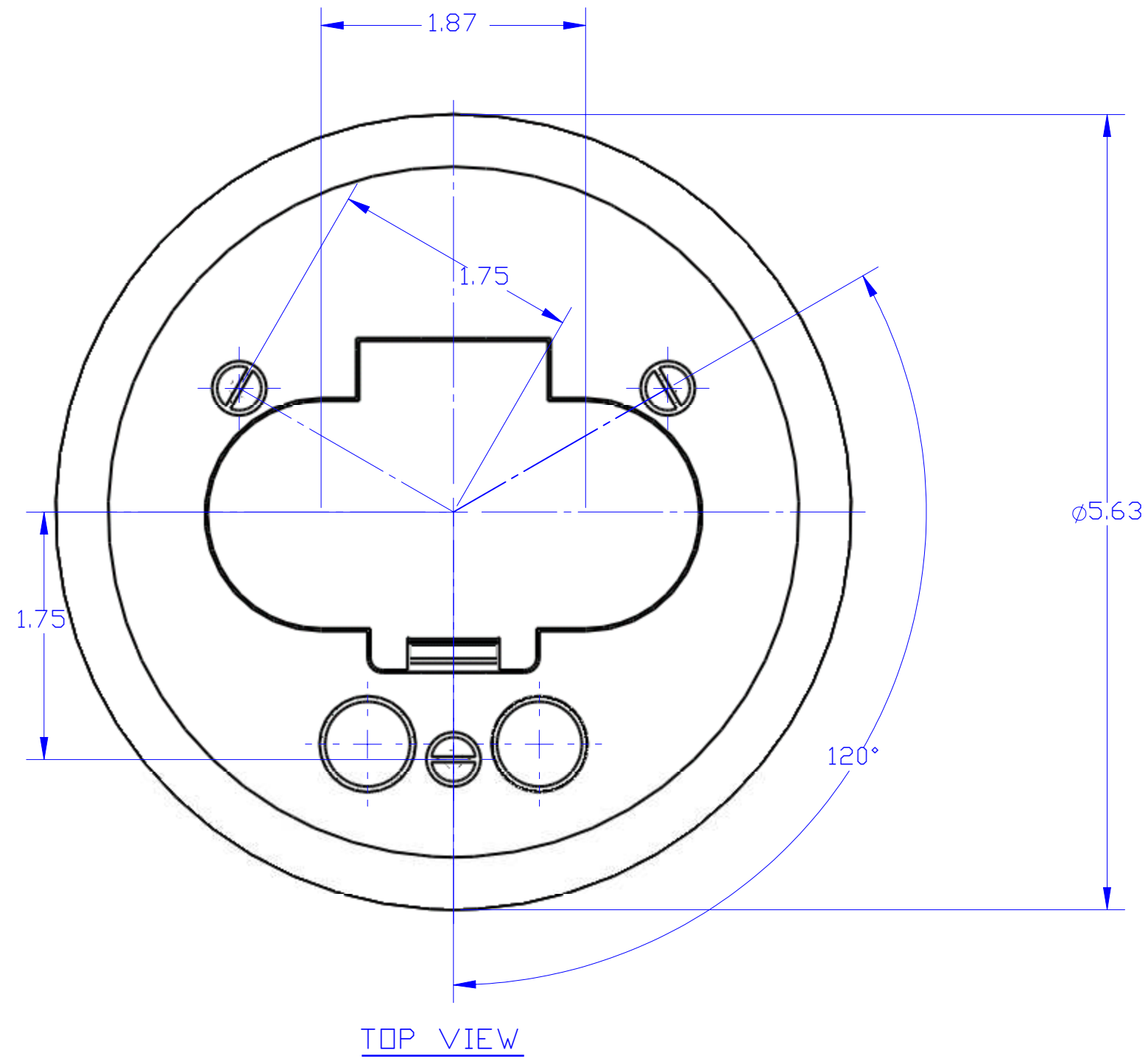


DESCRIPTION:  
 GOLD PLASTIC FLANGED COVER, WITH SINGLE  
 FLIP LID & GFI/DECORA MOUNT. PLT.



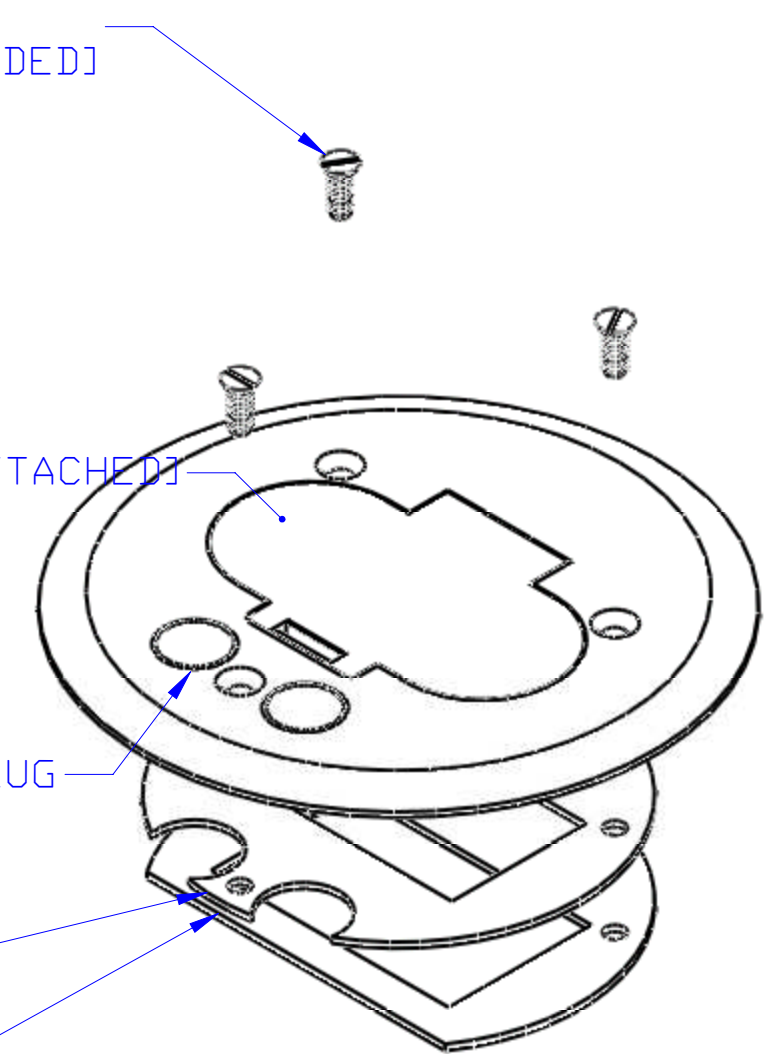
[3] 8-32 X .75  
 FLAT HEAD SCREW [PROVIDED]

PLASTIC FLIP COVER [ATTACHED]

REMOVABLE DATA/COM PLUG

DFB-3-GFI

525-DP-GFI



**LEW ELECTRIC**  
**FITTINGS COMPANY**  
 SERVING THE ELCTRICAL INDUSTRY SINCE 1901

1801 W. St. Charles Rd. Maywood, IL 60153  
 PHONE: 708-345-2075

UNLESS OTHERWISE SPECIFIED:		NAME	DATE	TITLE: <b>PFC-G-GFI</b>
DIMENSIONS ARE IN INCHES		DRAWN	PJG	
TOLERANCES:				
FRACTIONAL ±				
ANGULAR: MACH ± BEND ±				
TWO PLACE DECIMAL ±				
THREE PLACE DECIMAL ±				
INTERPRET GEOMETRIC TOLERANCING PER:		COMMENTS:		
MATERIAL				
FINISH				
DO NOT SCALE DRAWING		SIZE	DWG. NO.	REV
		<b>C</b>	1001900	<b>A</b>
		WEIGHT:	SHEET 8 OF 18	