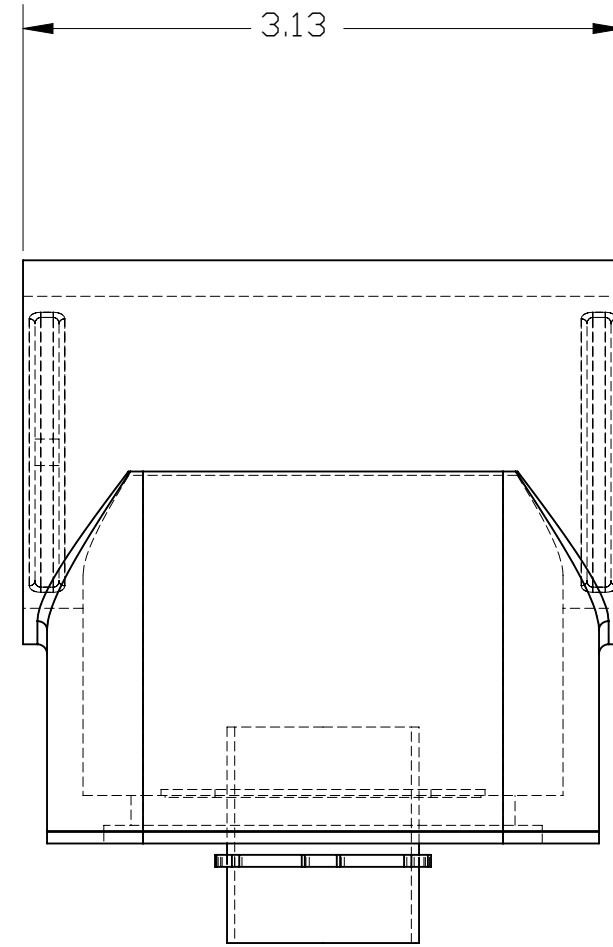
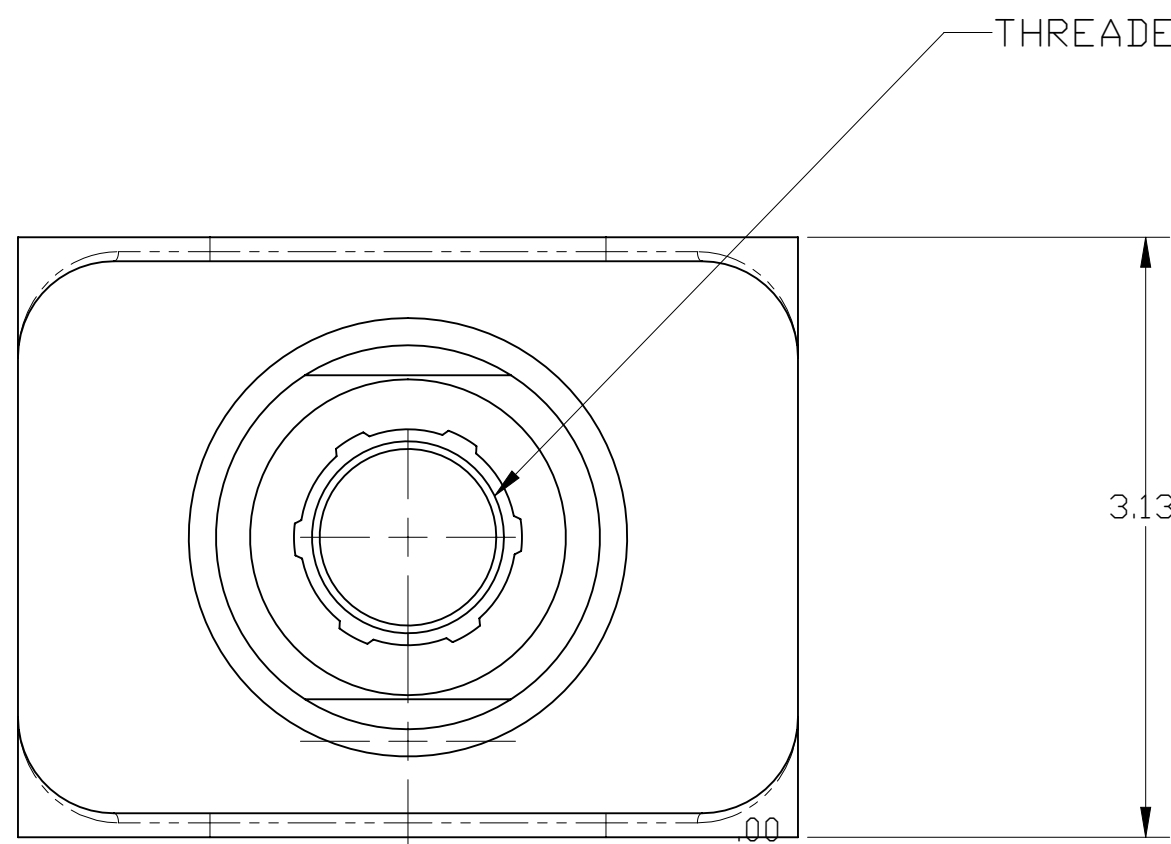


FRONT VIEW

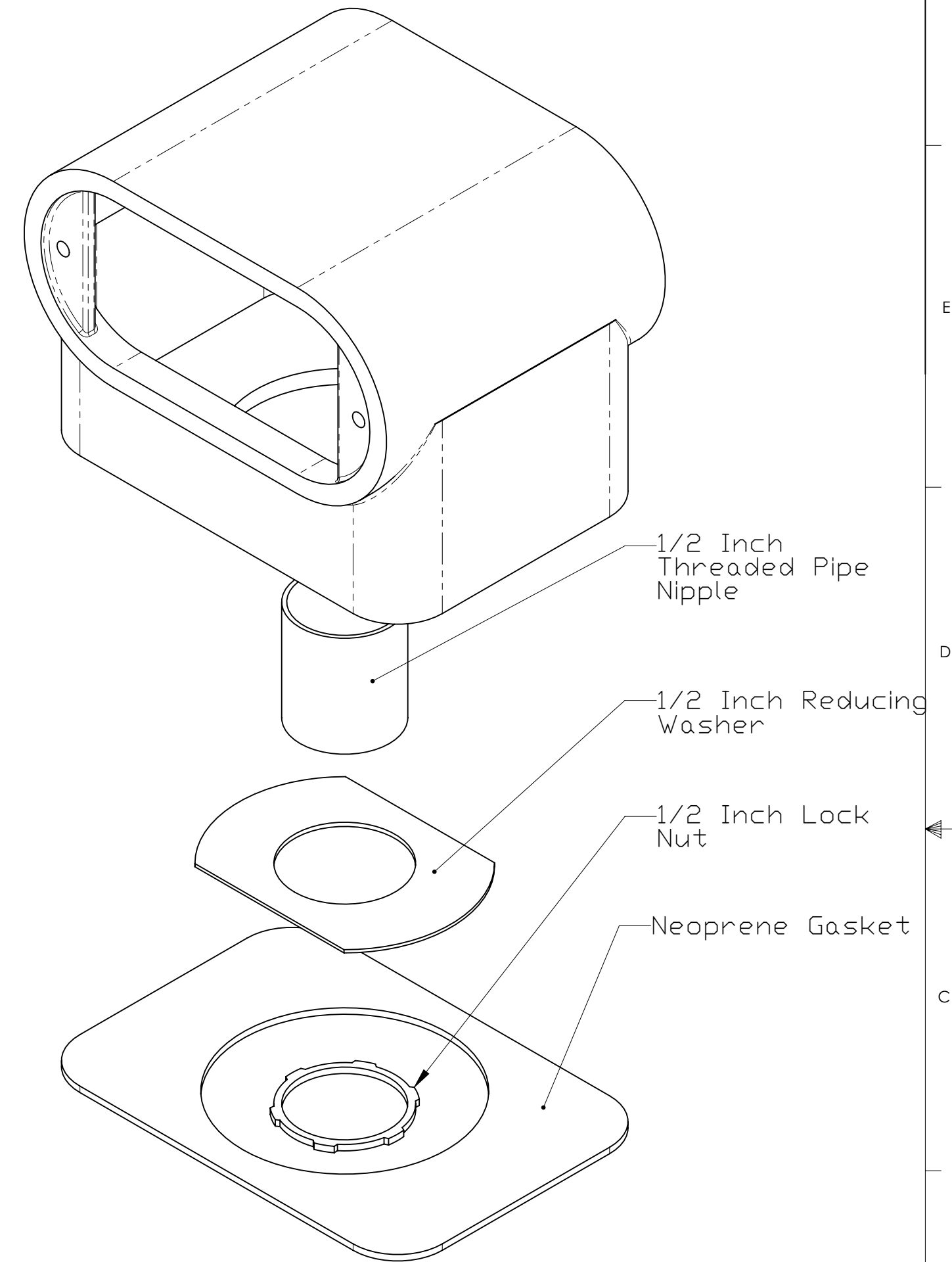


RIGHT VIEW



BOTTOM VIEW

DESCRIPTION:
Aluminum floor nozzle



ISOMETRIC EXPLODED VIEW



**LEW ELECTRIC
FITTINGS COMPANY**
SERVING THE ELCTRICAL INDUSTRY SINCE 1901

1801 W. St. Charles Rd. Maywood, IL 60153
PHONE: 708-345-2075

UNLESS OTHERWISE SPECIFIED:		NAME	DATE	TITLE: FDN-300-A
DIMENSIONS ARE IN INCHES		DRAWN	12/5/2008	
TOLERANCES:				
FRACTIONAL: ±				
ANGULAR: MATCH ± BEND ±				REV A
TWO PLACE DECIMAL ±				
THREE PLACE DECIMAL ±				
INTERPRET GEOMETRIC TOLERANCING PER:		COMMENTS:		SIZE C
MATERIAL				
FINISH				DWG. NO.
DO NOT SCALE DRAWING				WEIGHT:
				SHEET 12 OF 13