

DESCRIPTION:  
 CAST IRON FLOOR BOX FURNISHED WITH 523-  
 DP BRASS COVER & 15 AMP RECEPTACLE

'A' COVERMOUNTING HOLE  
 (TAPED 8/32)  
 'B' BOX MOUNTING SLOT  
 'C' DUPLEX MOUNTING  
 HOLE (TAPED 6/32)

1 1/2" SCREW PLUG

BRASS, [3] 8-32 X .5  
 FLAT HEAD SCREW  
 [PROVIDED]

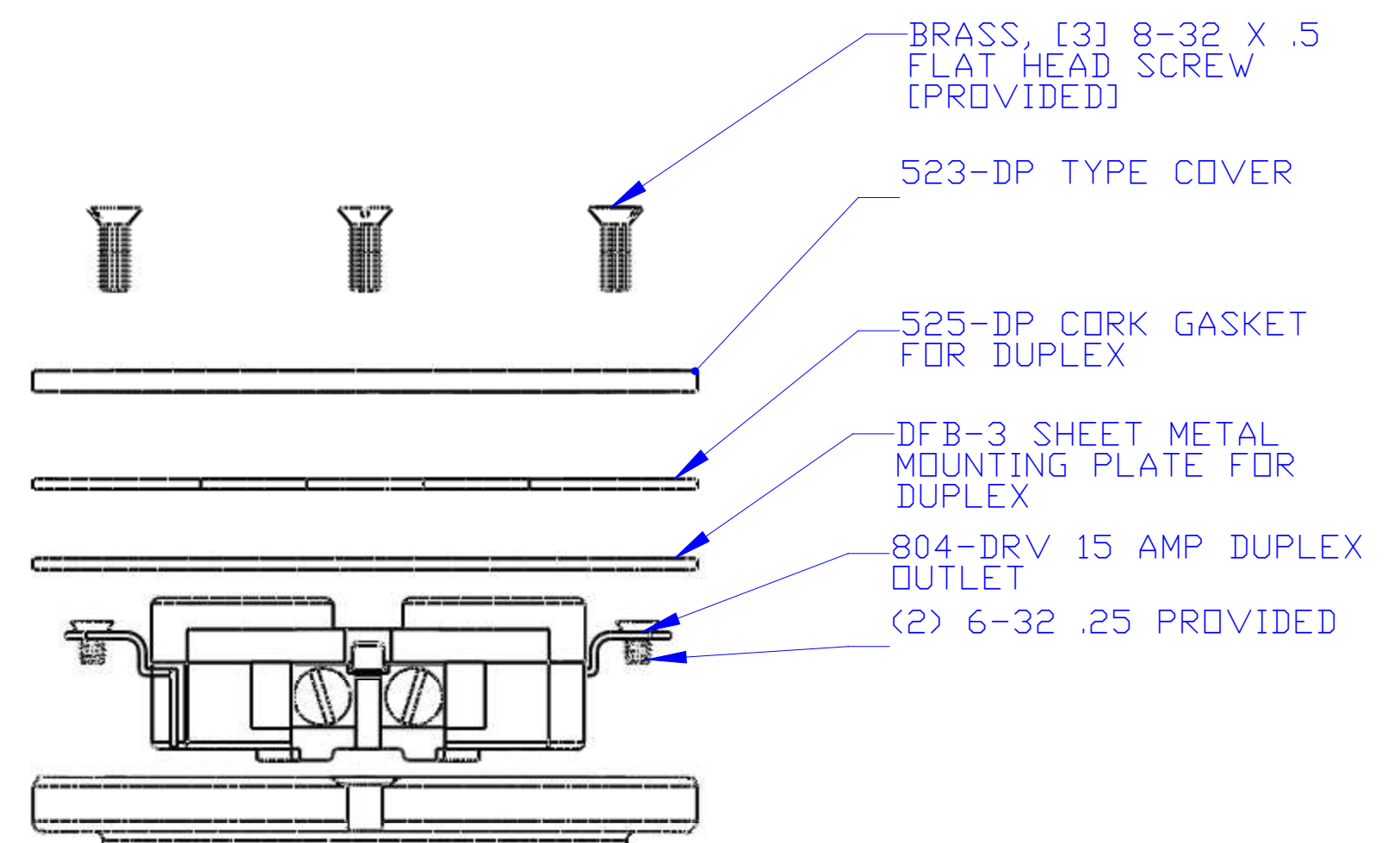
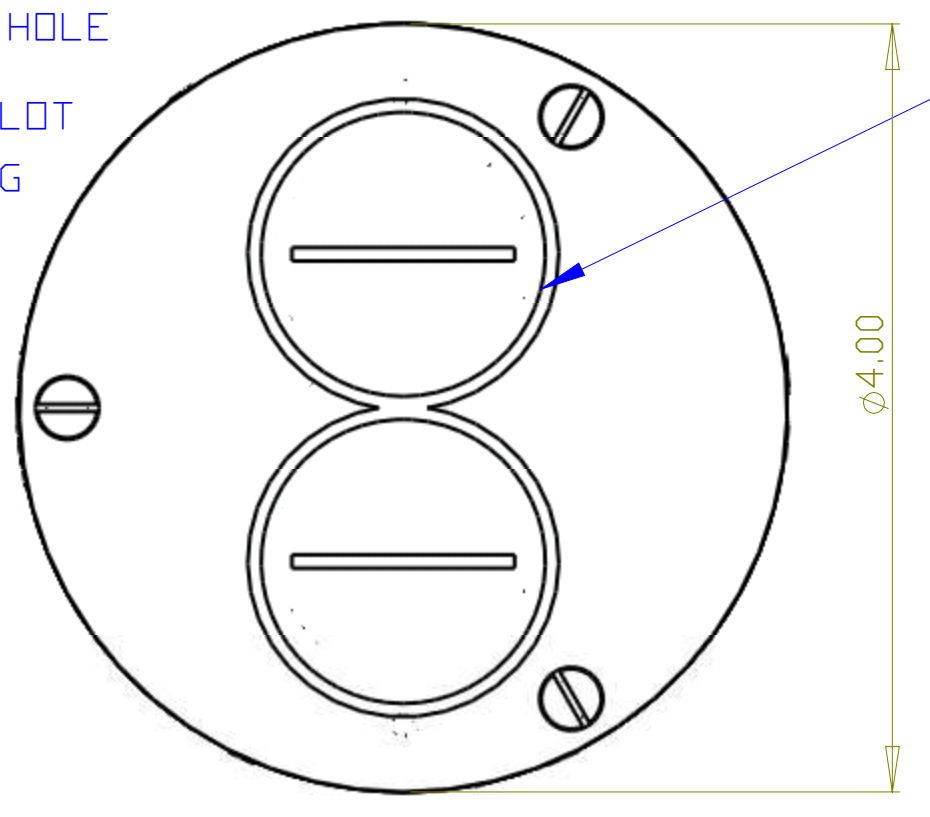
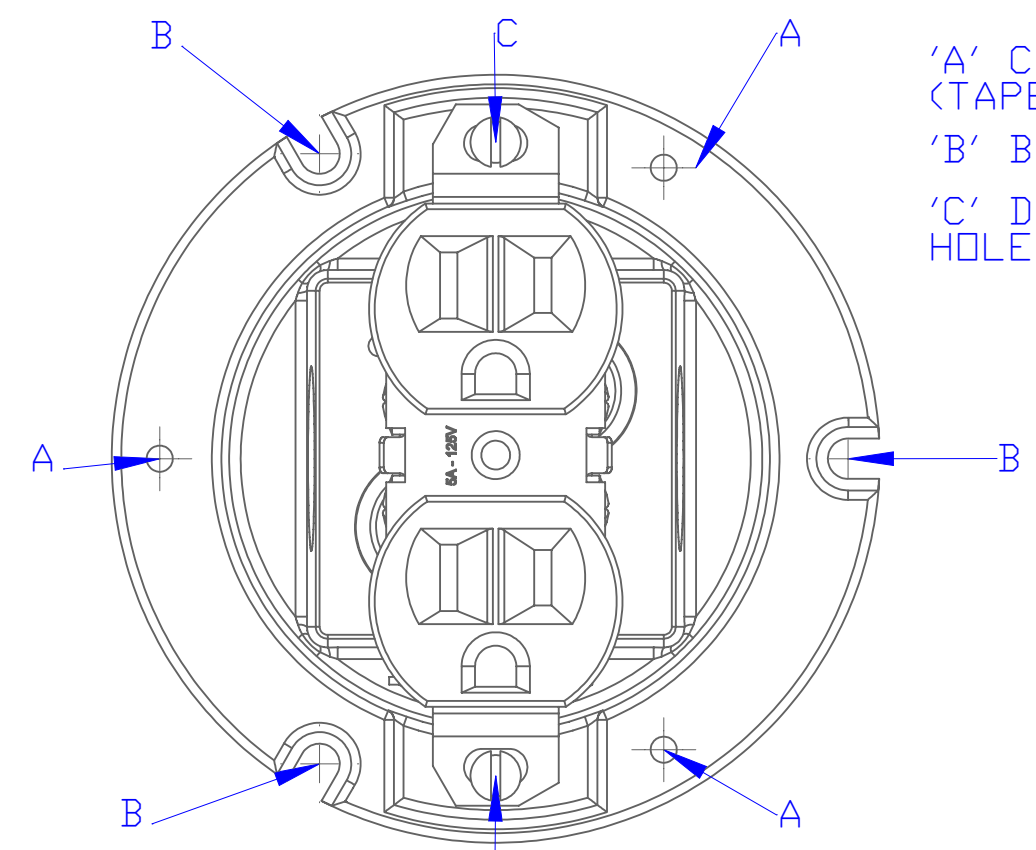
523-DP TYPE COVER

525-DP CORK GASKET  
 FOR DUPLEX

DFB-3 SHEET METAL  
 MOUNTING PLATE FOR  
 DUPLEX

804-DRV 15 AMP DUPLEX  
 OUTLET  
 (2) 6-32 .25 PROVIDED

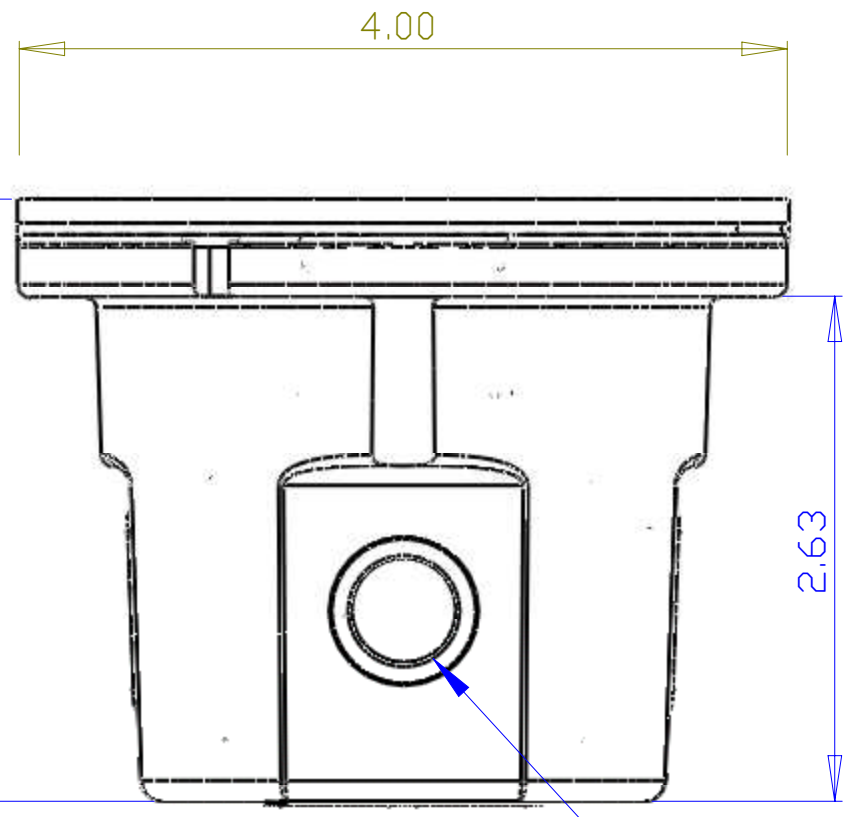
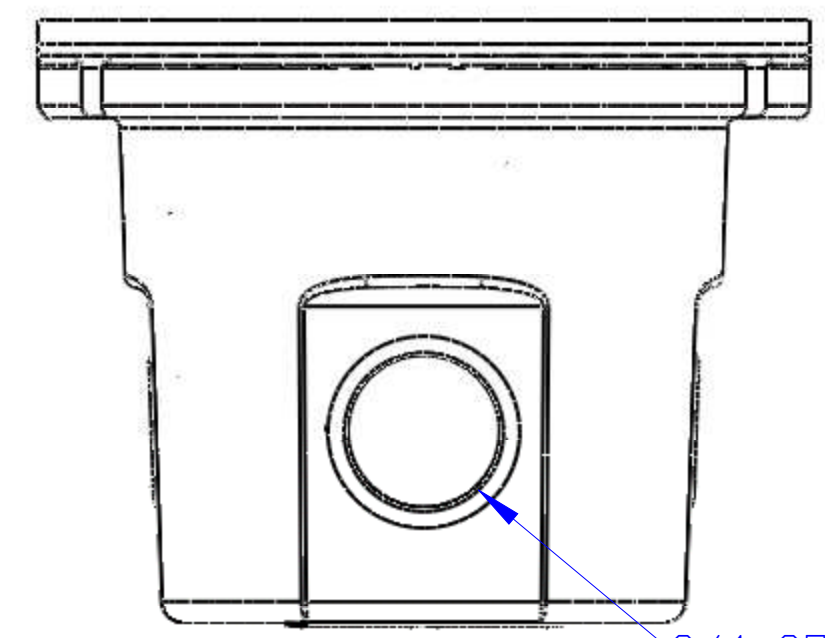
812 FLOOR BOX



812 BOX W/O COVER

TOP

RIGHT [EXPLODED]



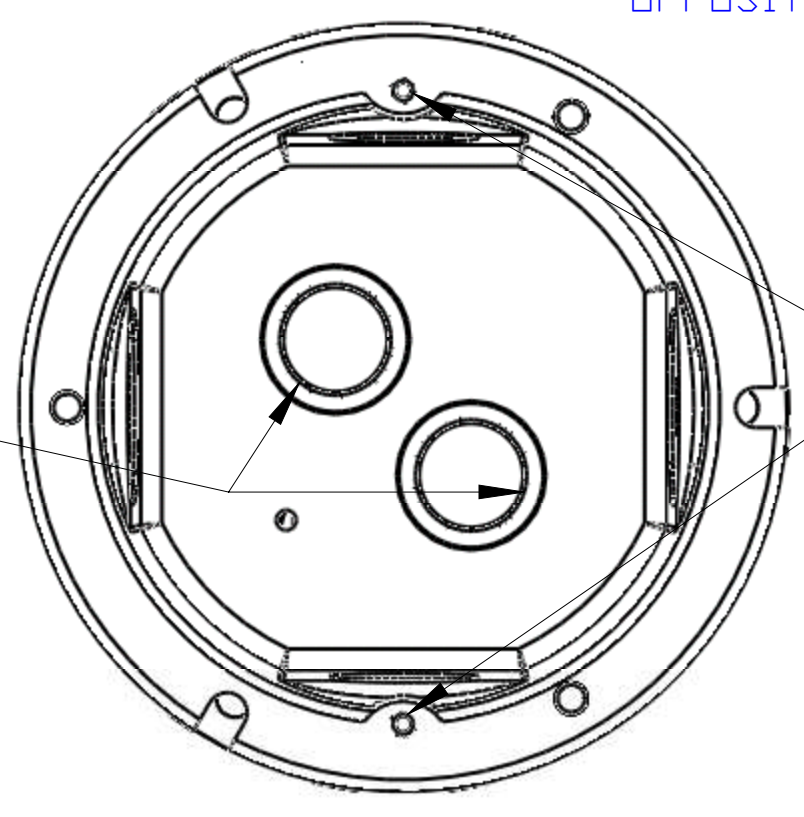
LEFT

FRONT

1/2 CONDUIT OPENING  
 [1/2 NPT WITH CAP]  
 OPPOSITE SIDE SAME

1/2 CONDUIT OPENING  
 [1/2 NPT WITH CAP]

RECEPTACLE MOUNTING HOLES



BOTTOM

**LEW ELECTRIC**  
**FITTINGS COMPANY**  
 SERVING THE ELECTRICAL INDUSTRY SINCE 1901  
 1801 W. St. Charles Rd. Maywood, IL 60153  
 PHONE: 708-345-2075

UNLESS OTHERWISE SPECIFIED:	NAME	DATE	TITLE: <b>812-DFB</b>
DIMENSIONS ARE IN INCHES	DRAWN	9/10/2007	
TOLERANCES: FRACTIONAL ± ANGULAR: MACH ± BEND ± TWO PLACE DECIMAL ± THREE PLACE DECIMAL ±	P.J.G.		SIZE DWG. NO. REV <b>C</b> 1001080 <b>A</b>
INTERPRET GEOMETRIC TOLERANCING PER: MATERIAL	COMMENTS:		
FINISH			WEIGHT: SHEET 4 OF 10
DO NOT SCALE DRAWING			