

DESCRIPTION:
 CAST IRON FLOOR BOX FURNISHED WITH 524
 BRASS COVER FOR COM. / DATA

'A' COVERMOUNTING HOLE
 (TAPED 8/32)
 'B' BOX MOUNTING SLOT
 'C' DUPLEX MOUNTING
 HOLE (TAPED 6/32)

2" SCREW PLUG

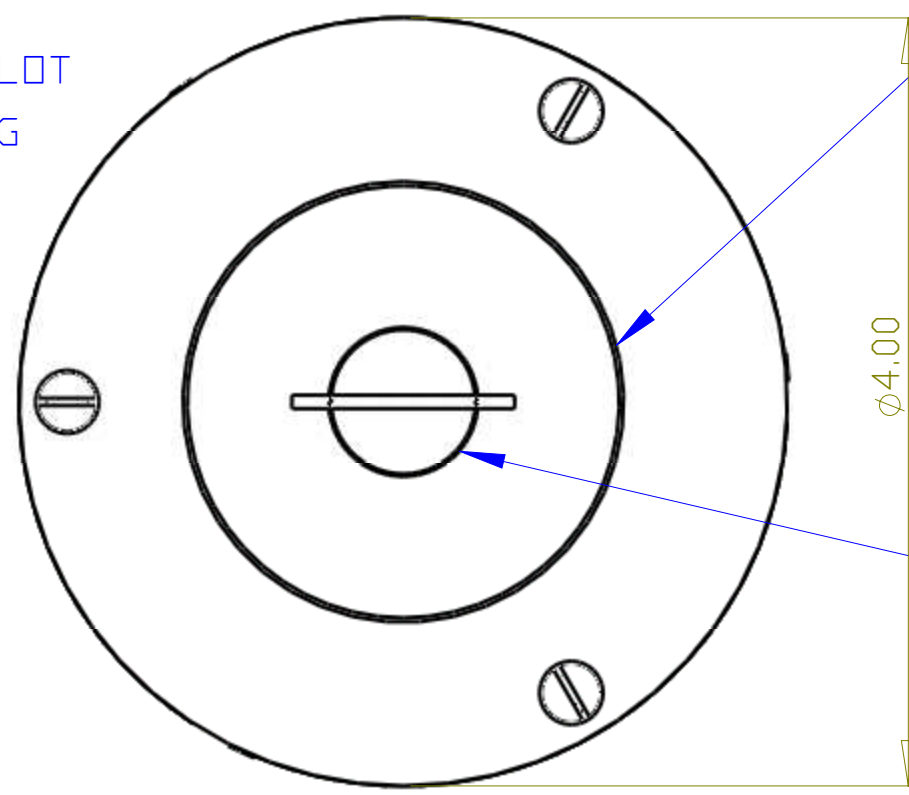
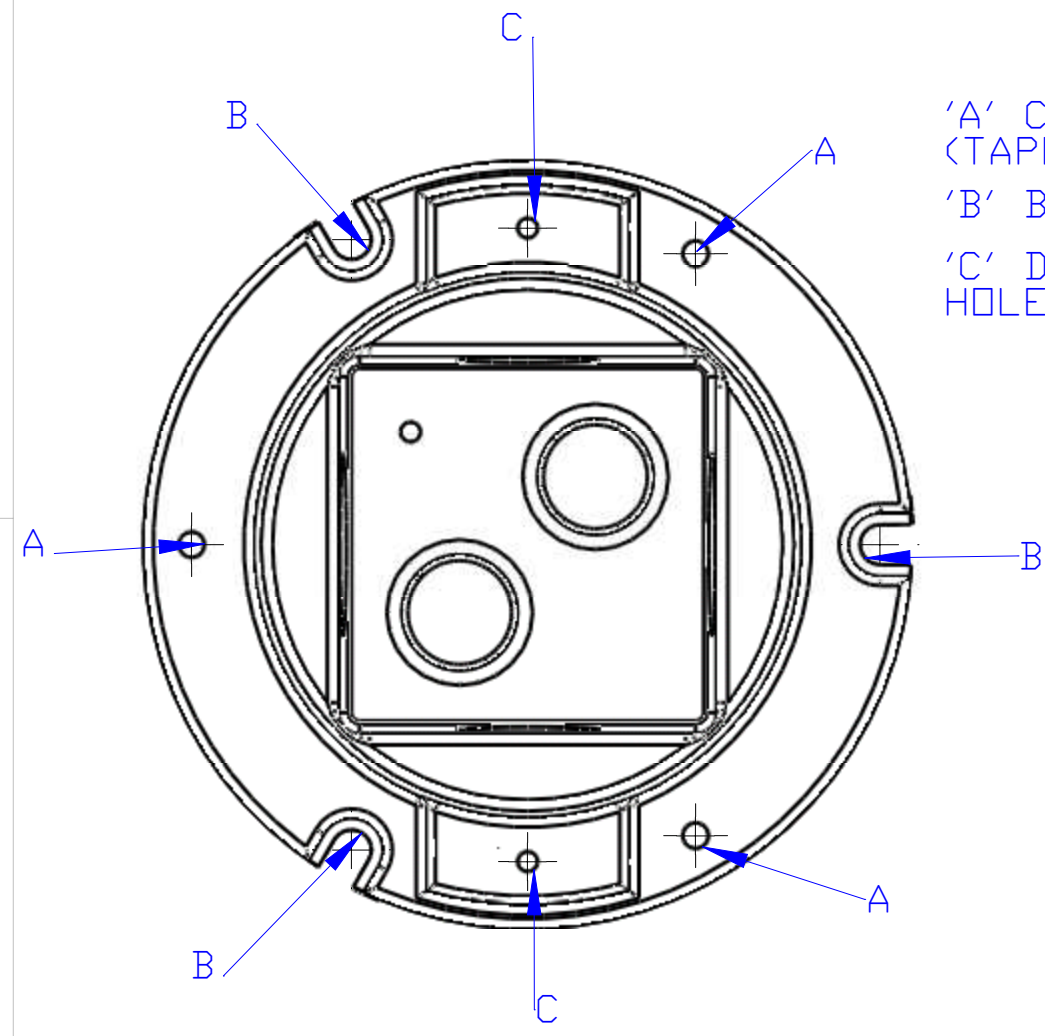
1/2" SCREW PLUG

BRASS, [3] 8-32 X .5
 FLAT HEAD SCREW
 [PROVIDED]

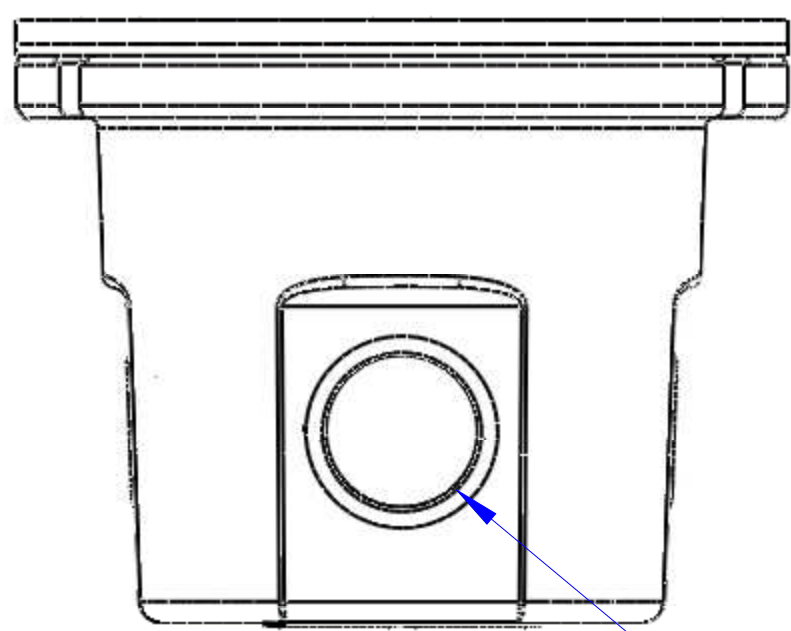
524 TYPE COVER

525 DATA COM GASKET

812 FLOOR BOX

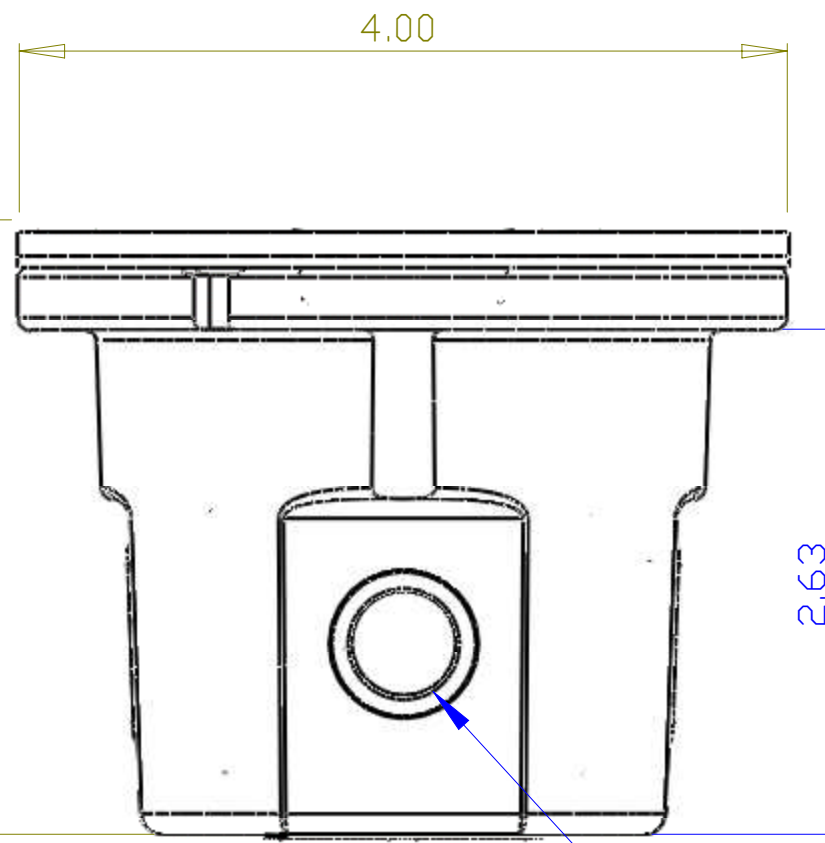


TOP



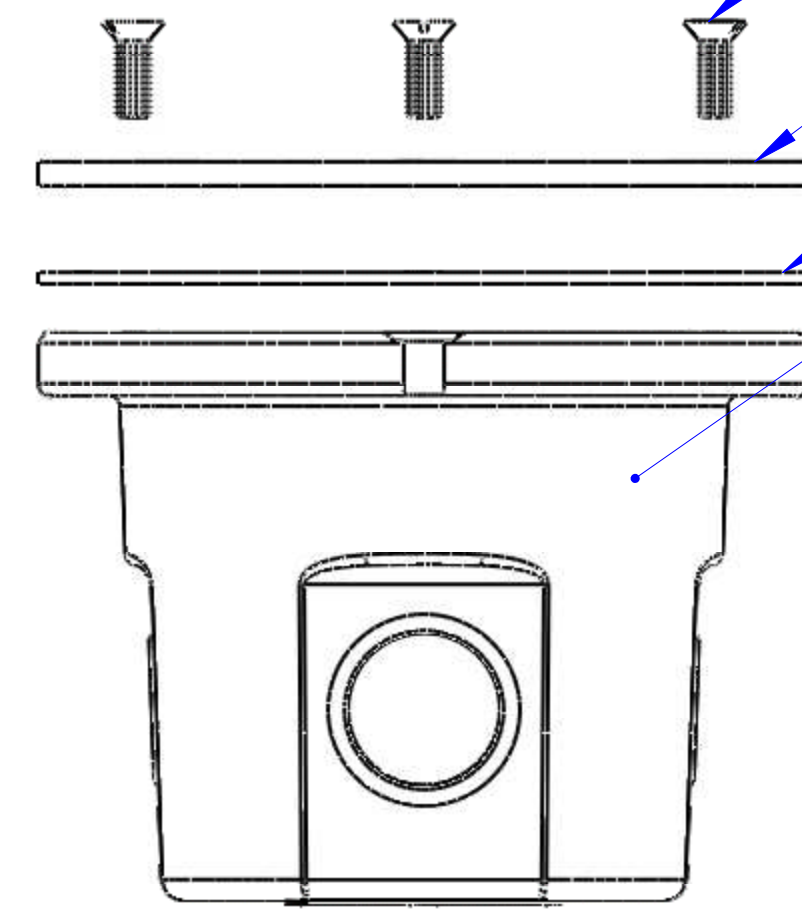
LEFT

3/4 CONDUIT OPENING
 [3/4 NPT WITH CAP]



FRONT

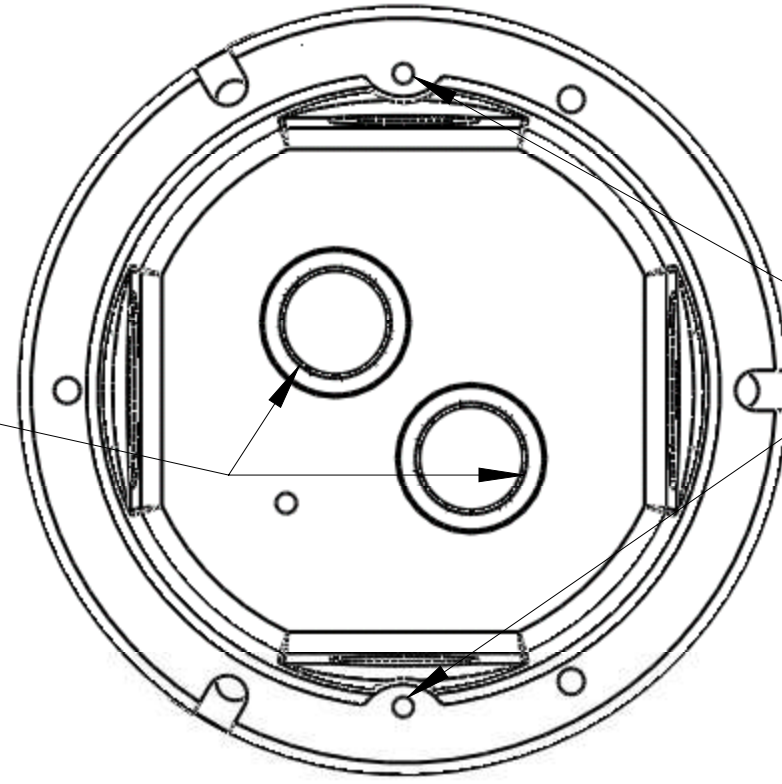
1/2 CONDUIT OPENING
 [1/2 NPT WITH CAP]
 OPPOSITE SIDE SAME



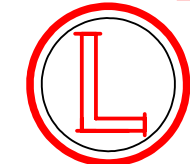
RIGHT [EXPLODED]

1/2 CONDUIT OPENING
 [1/2 NPT WITH CAP]

RECEPTACLE MOUNTING HOLES



BOTTOM



**LEW ELECTRIC
 FITTINGS COMPANY**
 SERVING THE ELECTRICAL INDUSTRY SINCE 1901
 1801 W. St. Charles Rd. Maywood, IL 60153
 PHONE: 708-345-2075

UNLESS OTHERWISE SPECIFIED:		NAME	DATE	TITLE: 812-DFB -W 524
DIMENSIONS ARE IN INCHES		DRAWN	P.J.G. 9/10/2007	
TOLERANCES:				SIZE DWG. NO. REV C 1001110 A
FRACTIONAL ±				
ANGULAR: MACH ± BEND ±				
TWO PLACE DECIMAL ±				
THREE PLACE DECIMAL ±				WEIGHT: SHEET 7 OF 10
INTERPRET GEOMETRIC TOLERANCING PER:		COMMENTS:		
MATERIAL:				
FINISH:				
DO NOT SCALE DRAWING				