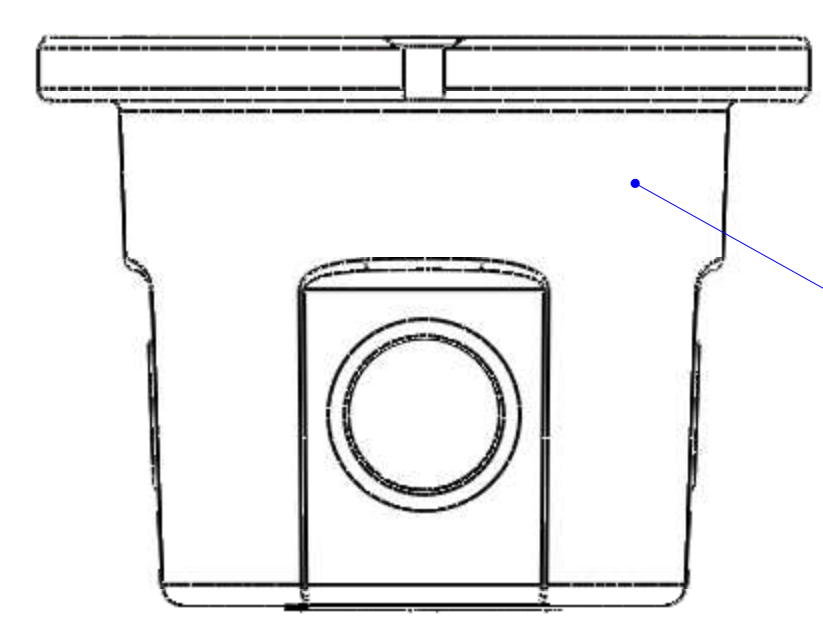
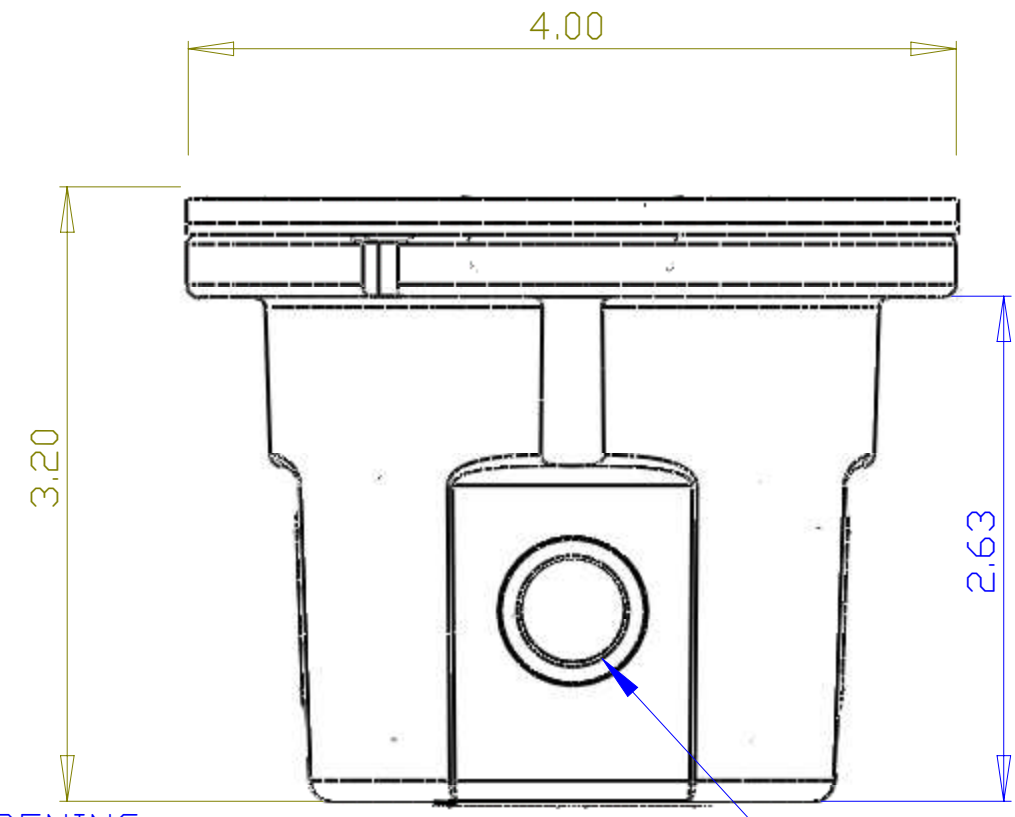
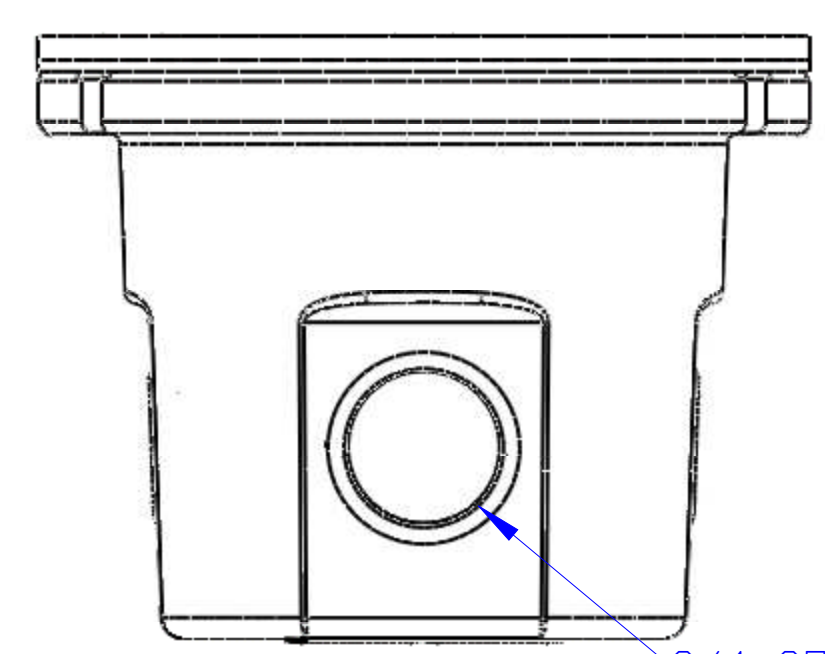
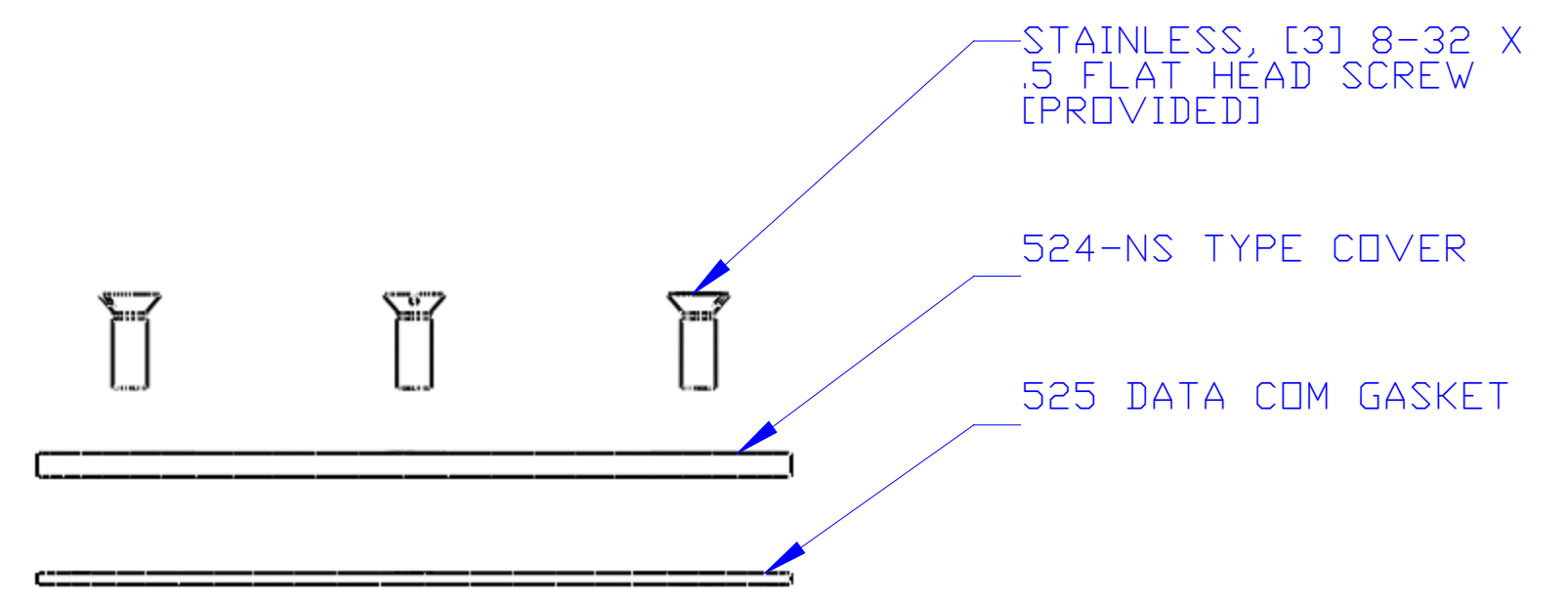
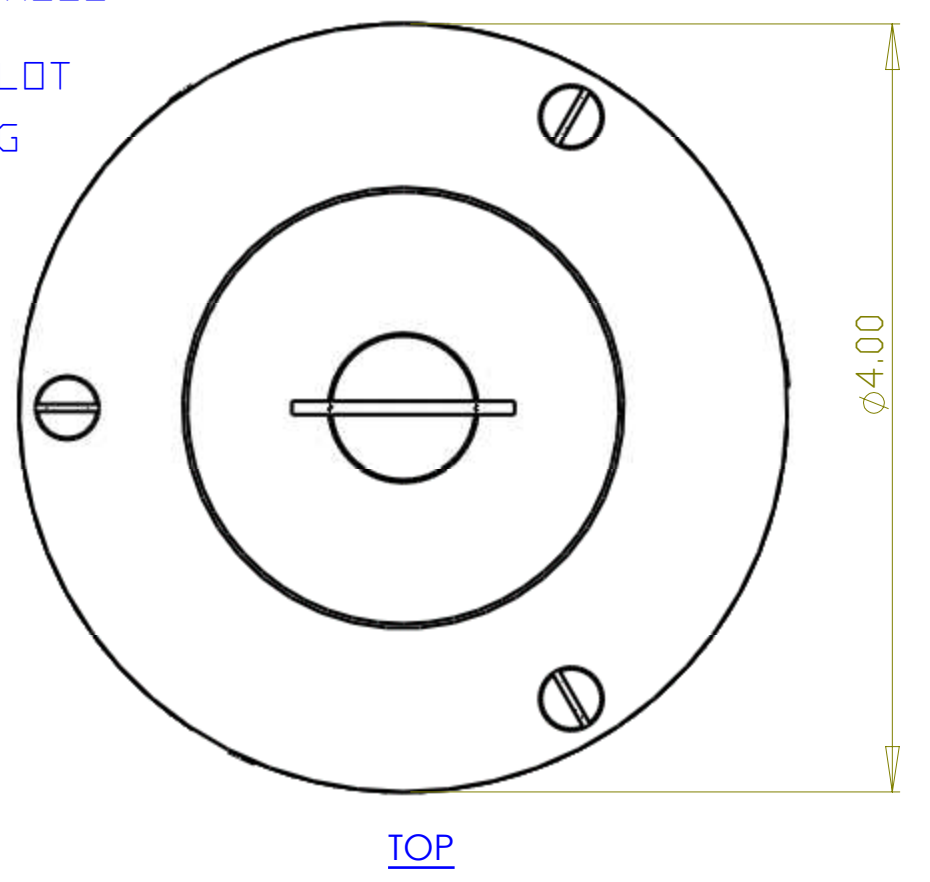
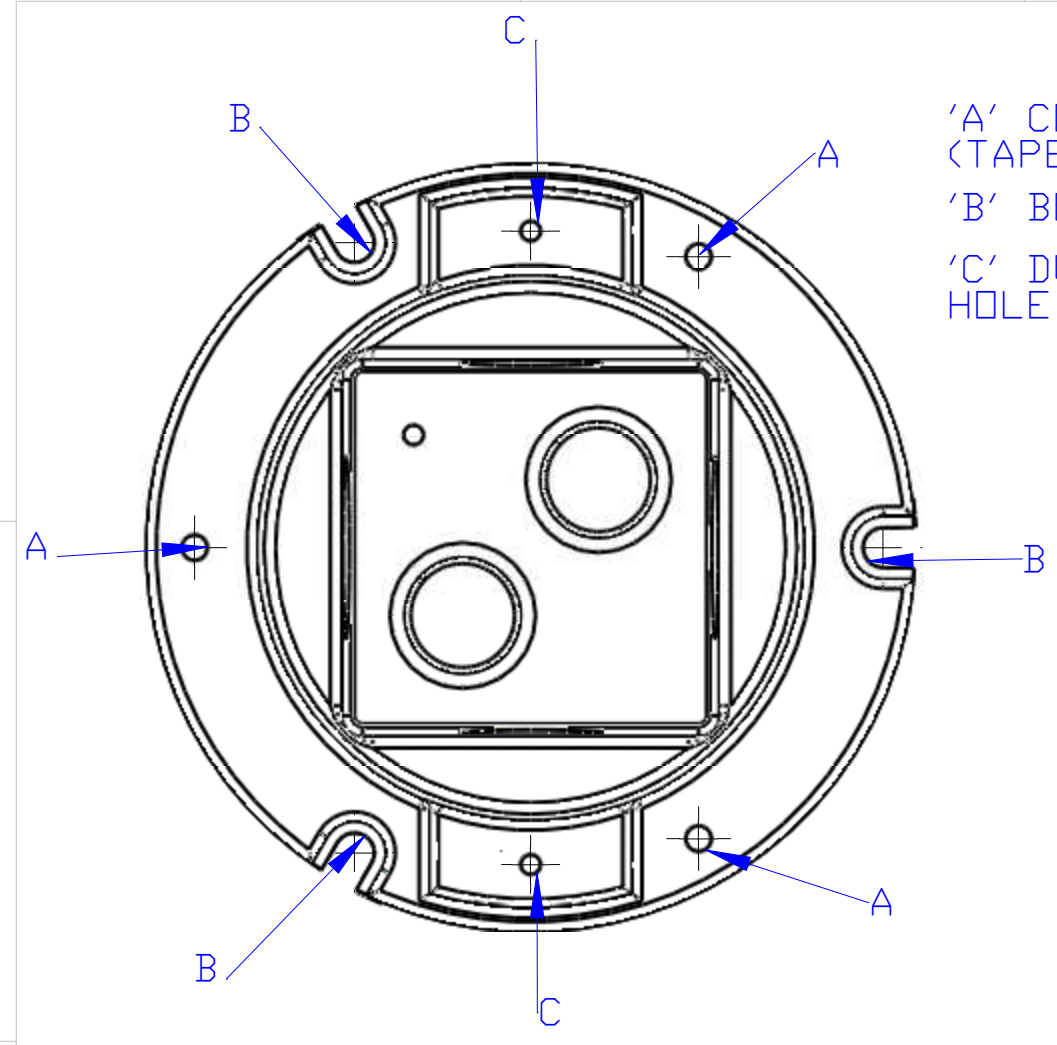


DESCRIPTION:
 CAST IRON FLOOR BOX FURNISHED WITH 524-NS (NICKEL SILVER) COVER FOR COM. / DATA

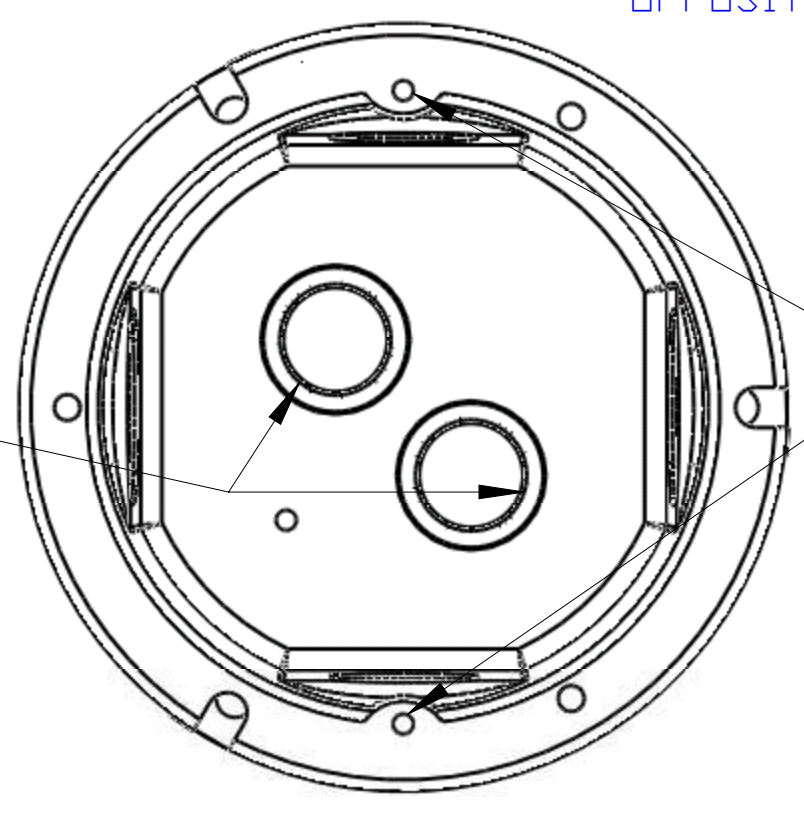
'A' COVERMOUNTING HOLE (TAPED 8/32)
 'B' BOX MOUNTING SLOT
 'C' DUPLEX MOUNTING HOLE (TAPED 6/32)



3/4 CONDUIT OPENING [3/4 NPT WITH CAP]

1/2 CONDUIT OPENING [1/2 NPT WITH CAP] OPPOSITE SIDE SAME

1/2 CONDUIT OPENING [1/2 NPT WITH CAP]



RECEPTACLE MOUNTING HOLES

LEW ELECTRIC FITTINGS COMPANY
 SERVING THE ELECTRICAL INDUSTRY SINCE 1901
 1801 W. St. Charles Rd. Maywood, IL 60153
 PHONE: 708-345-2075

UNLESS OTHERWISE SPECIFIED:	NAME	DATE	TITLE: 812-DFB -W 524-NS
DIMENSIONS ARE IN INCHES	DRAWN	9/10/2007	
TOLERANCES: FRACTIONAL ± ANGULAR: MACH ± BEND ± TWO PLACE DECIMAL ± THREE PLACE DECIMAL ±	P.J.G.		SIZE DWG. NO. REV C 1001120 A
INTERPRET GEOMETRIC TOLERANCING PER:	COMMENTS:		
MATERIAL			WEIGHT:
FINISH			SHEET 8 OF 10
DO NOT SCALE DRAWING			