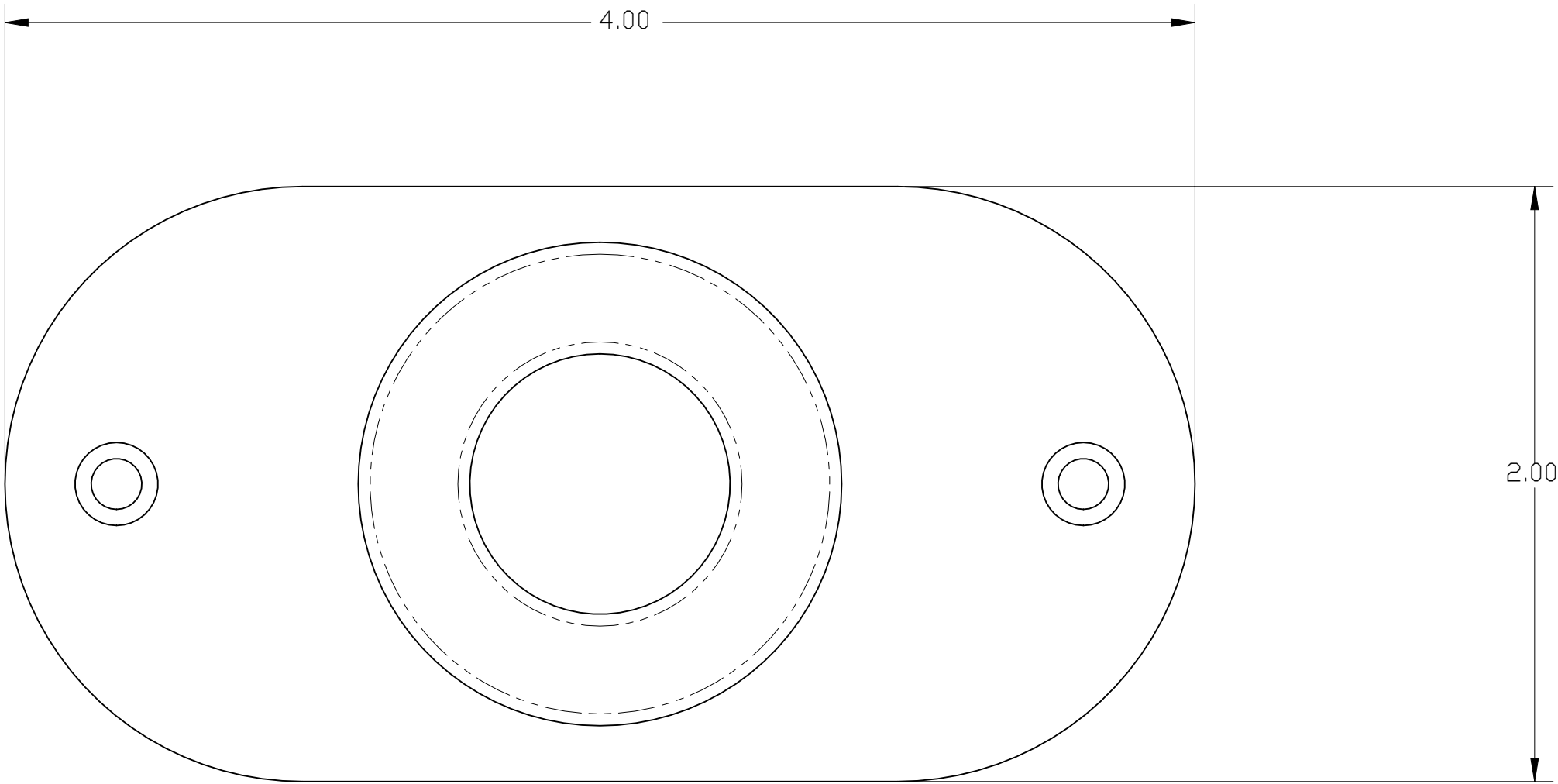
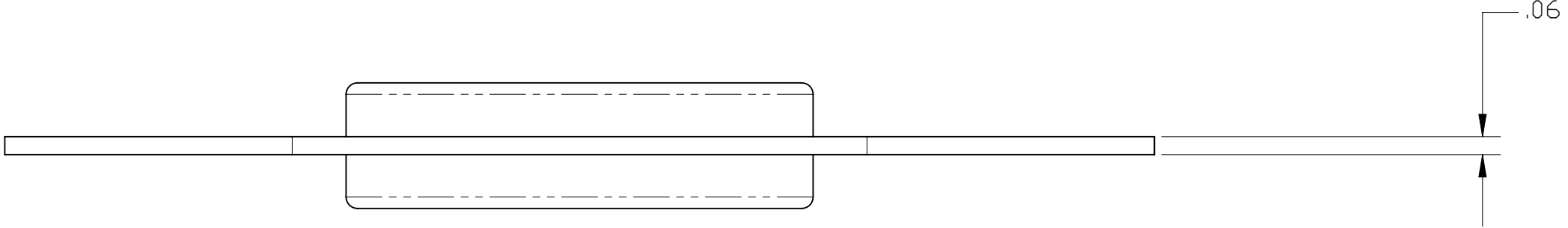


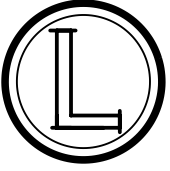
DESCRIPTION:
Nozzle plate for single receptacle or cable.



TOP VIEW



FRONT VIEW

 <p>LEW ELECTRIC FITTINGS COMPANY SERVING THE ELCTRICAL INDUSTRY SINCE 1901 1801 W. St. Charles Rd. Maywood, IL 60153 PHONE: 708-345-2075</p>		<table border="1"> <tr> <th>UNLESS OTHERWISE SPECIFIED:</th> <th>NAME</th> <th>DATE</th> </tr> <tr> <td>DIMENSIONS ARE IN INCHES</td> <td>P.J.G.</td> <td>12/5/2008</td> </tr> <tr> <td>TOLERANCES:</td> <td></td> <td></td> </tr> <tr> <td>FRACTIONAL: ±</td> <td></td> <td></td> </tr> <tr> <td>ANGULAR: MATCH ± BEND ±</td> <td></td> <td></td> </tr> <tr> <td>TWO PLACE DECIMAL ±</td> <td></td> <td></td> </tr> <tr> <td>THREE PLACE DECIMAL ±</td> <td></td> <td></td> </tr> <tr> <td>INTERPRET GEOMETRIC TOLERANCING PER:</td> <td colspan="2">COMMENTS:</td> </tr> <tr> <td>MATERIAL</td> <td colspan="2"></td> </tr> <tr> <td>FINISH</td> <td colspan="2"></td> </tr> <tr> <td>DO NOT SCALE DRAWING</td> <td colspan="2"></td> </tr> </table>		UNLESS OTHERWISE SPECIFIED:	NAME	DATE	DIMENSIONS ARE IN INCHES	P.J.G.	12/5/2008	TOLERANCES:			FRACTIONAL: ±			ANGULAR: MATCH ± BEND ±			TWO PLACE DECIMAL ±			THREE PLACE DECIMAL ±			INTERPRET GEOMETRIC TOLERANCING PER:	COMMENTS:		MATERIAL			FINISH			DO NOT SCALE DRAWING			<p>TITLE: 806-A</p>	
		UNLESS OTHERWISE SPECIFIED:	NAME	DATE																																		
DIMENSIONS ARE IN INCHES	P.J.G.	12/5/2008																																				
TOLERANCES:																																						
FRACTIONAL: ±																																						
ANGULAR: MATCH ± BEND ±																																						
TWO PLACE DECIMAL ±																																						
THREE PLACE DECIMAL ±																																						
INTERPRET GEOMETRIC TOLERANCING PER:	COMMENTS:																																					
MATERIAL																																						
FINISH																																						
DO NOT SCALE DRAWING																																						
<table border="1"> <tr> <td>SIZE C</td> <td>DWG. NO.</td> <td>REV A</td> </tr> </table>		SIZE C	DWG. NO.	REV A	<table border="1"> <tr> <td>WEIGHT:</td> <td>SHEET 8 OF 13</td> </tr> </table>		WEIGHT:	SHEET 8 OF 13																														
SIZE C	DWG. NO.	REV A																																				
WEIGHT:	SHEET 8 OF 13																																					