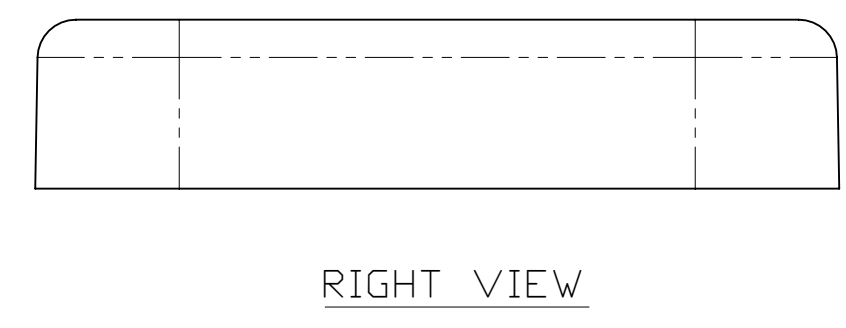
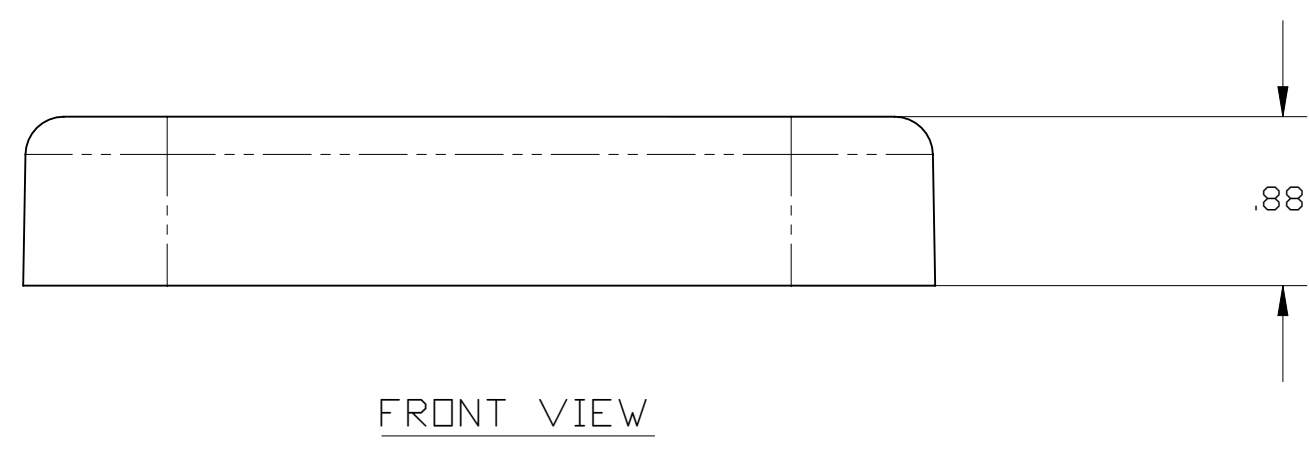
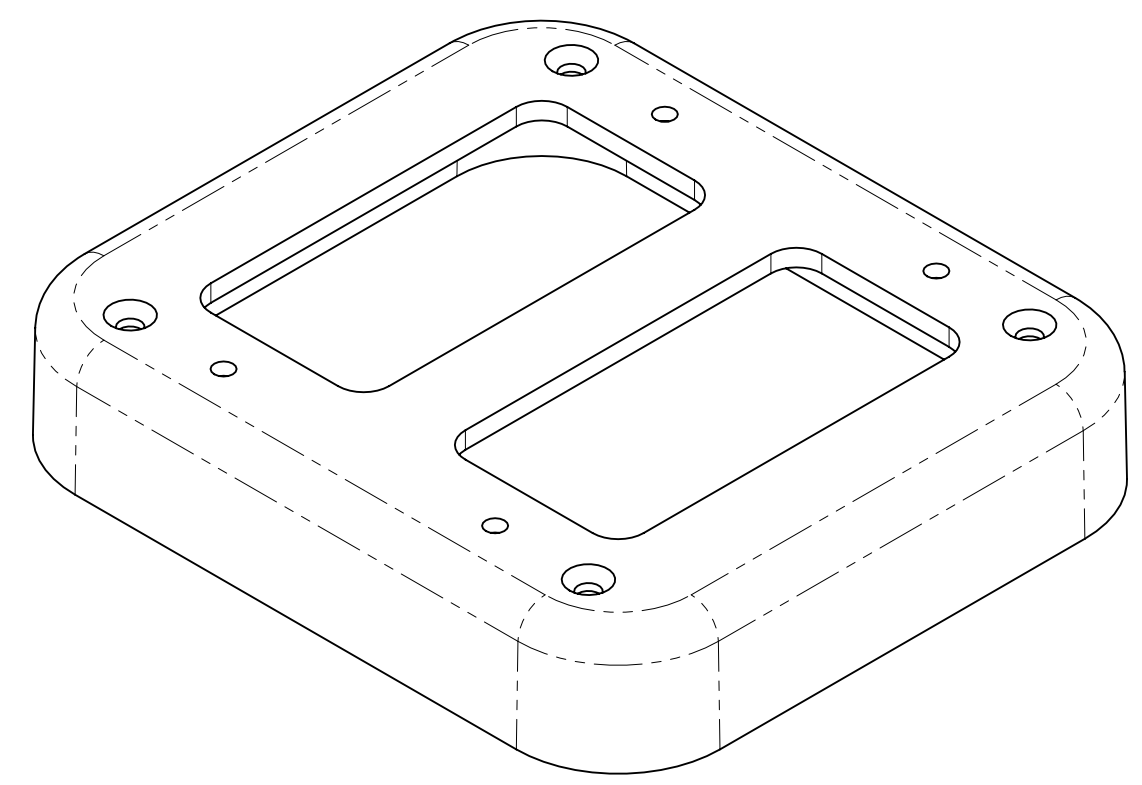
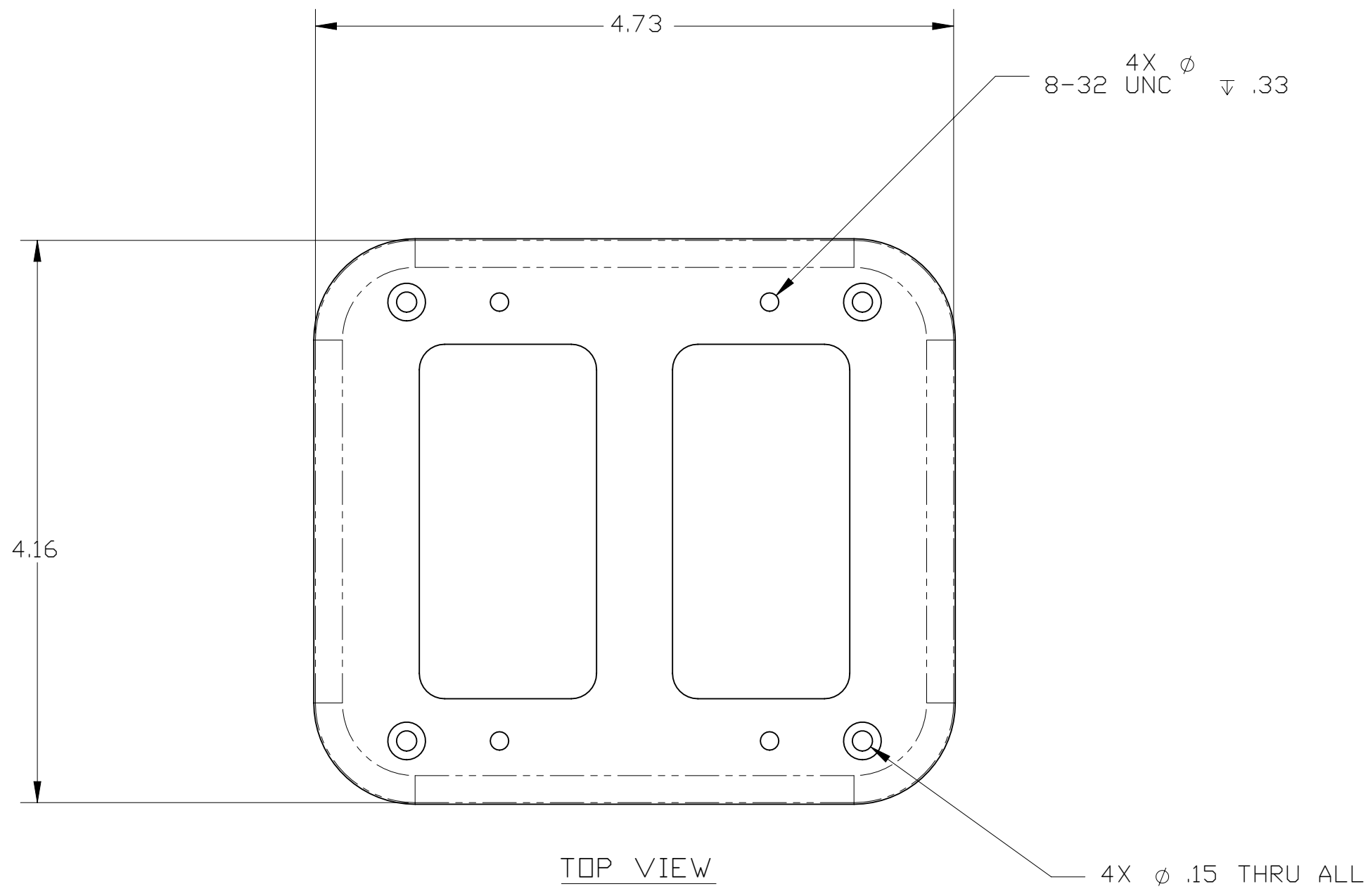
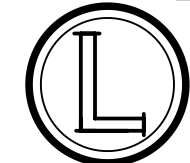


DESCRIPTION:
Nozzle plate will accommodate (2) GFI receptacles.





**LEW ELECTRIC
FITTINGS COMPANY**
SERVING THE ELCTRICAL INDUSTRY SINCE 1901

1801 W. St. Charles Rd. Maywood, IL 60153
PHONE: 708-345-2075

| | | | | |
|--|-----------|------|-----------|--|
| UNLESS OTHERWISE SPECIFIED: | DRAWN | NAME | DATE | TITLE: 713-GFI-A |
| DIMENSIONS ARE IN INCHES TOLERANCES: FRACTIONAL: \pm ANGULAR: MACH \pm BEND \pm TWO PLACE DECIMAL \pm THREE PLACE DECIMAL \pm | | | 12/5/2008 | |
| INTERPRET GEOMETRIC TOLERANCING PER: | COMMENTS: | | | SIZE DWG. NO. REV C A |
| MATERIAL | | | | |
| FINISH | | | | WEIGHT: SHEET 1 OF 13 |
| DO NOT SCALE DRAWING | | | | |