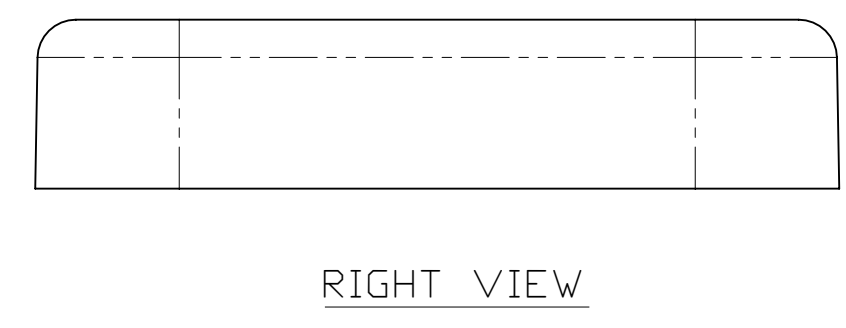
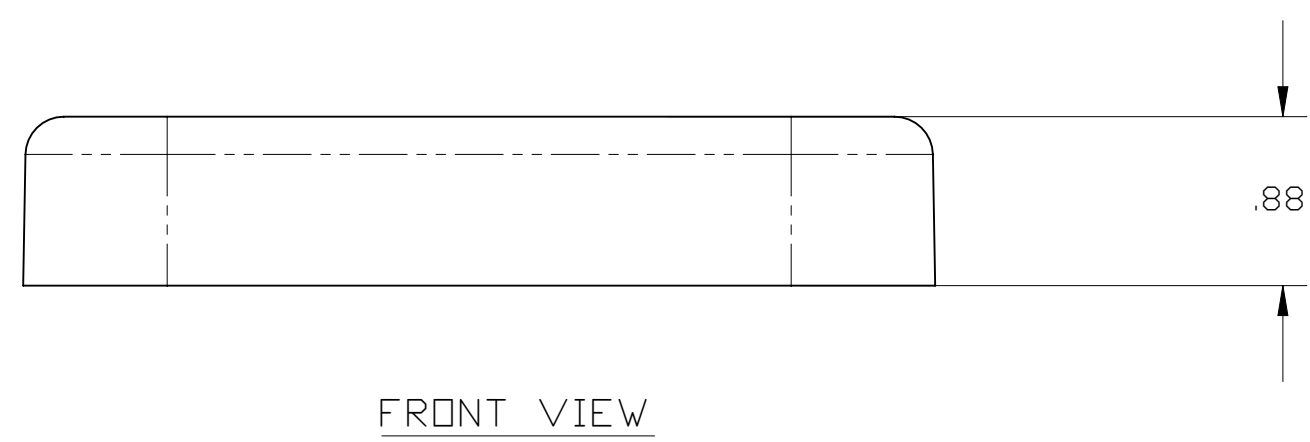
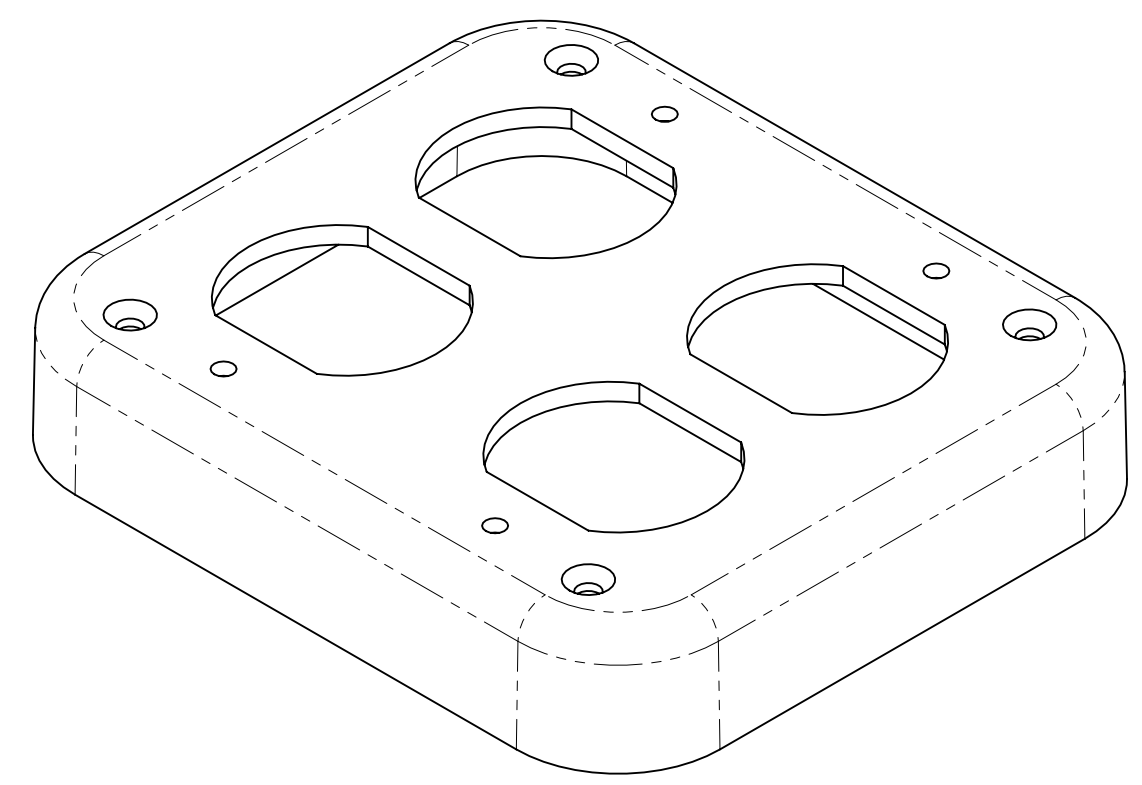
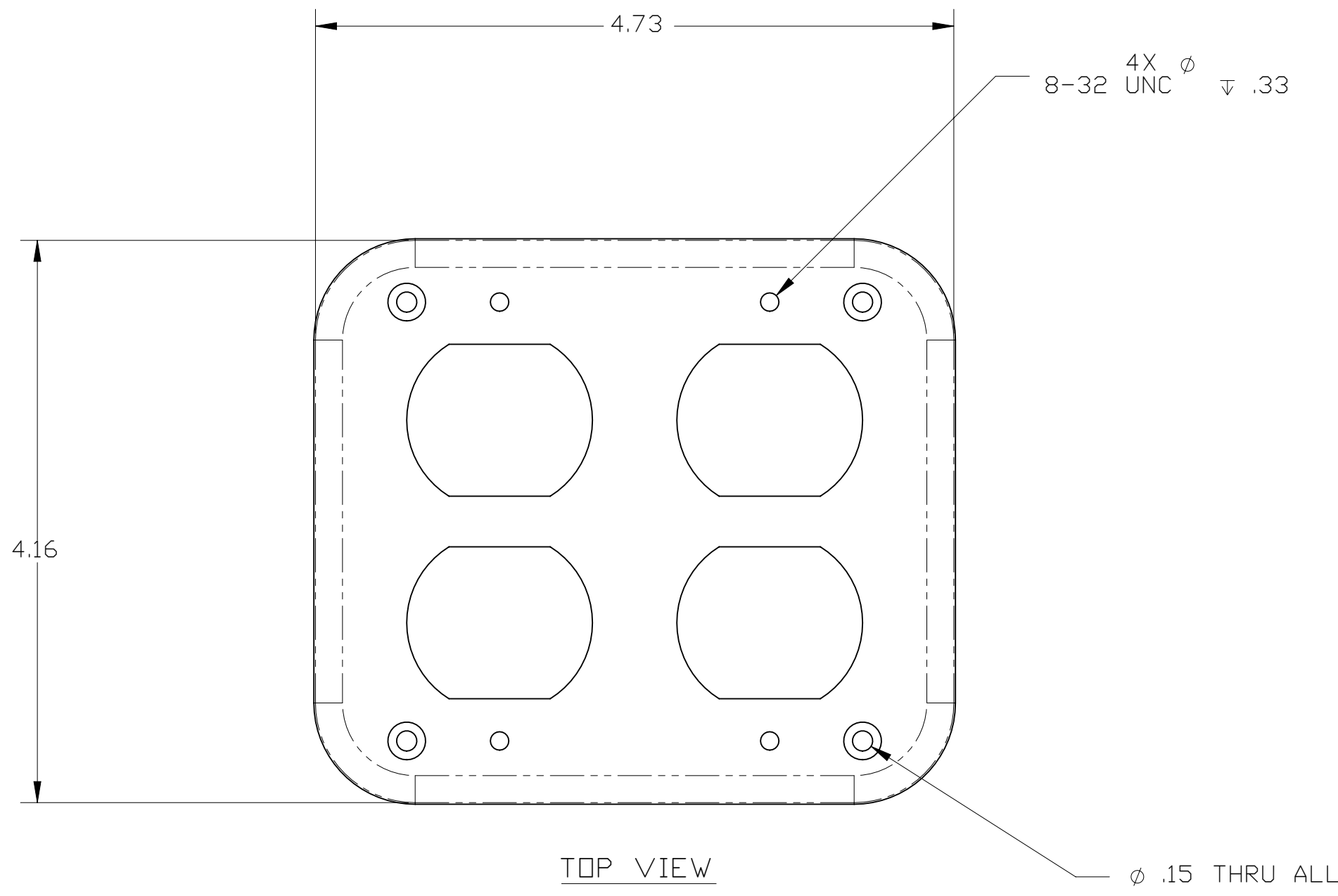
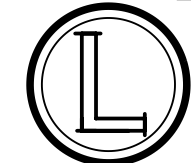


DESCRIPTION:
Nozzle plate will accommodate (2) duplex receptacles.





**LEW ELECTRIC
FITTINGS COMPANY**
SERVING THE ELCTRICAL INDUSTRY SINCE 1901
1801 W. St. Charles Rd. Maywood, IL 60153
PHONE: 708-345-2075

UNLESS OTHERWISE SPECIFIED:	DRAWN	NAME	DATE	TITLE: 710-A
DIMENSIONS ARE IN INCHES		P.JG	12/5/2008	
TOLERANCES: FRACTIONAL: \pm ANGULAR: MACH \pm BEND \pm TWO PLACE DECIMAL \pm THREE PLACE DECIMAL \pm				
INTERPRET GEOMETRIC TOLERANCING PER:				
MATERIAL	COMMENTS:			SIZE DWG. NO. REV C A
FINISH				
DO NOT SCALE DRAWING	WEIGHT:		SHEET 2 OF 13	