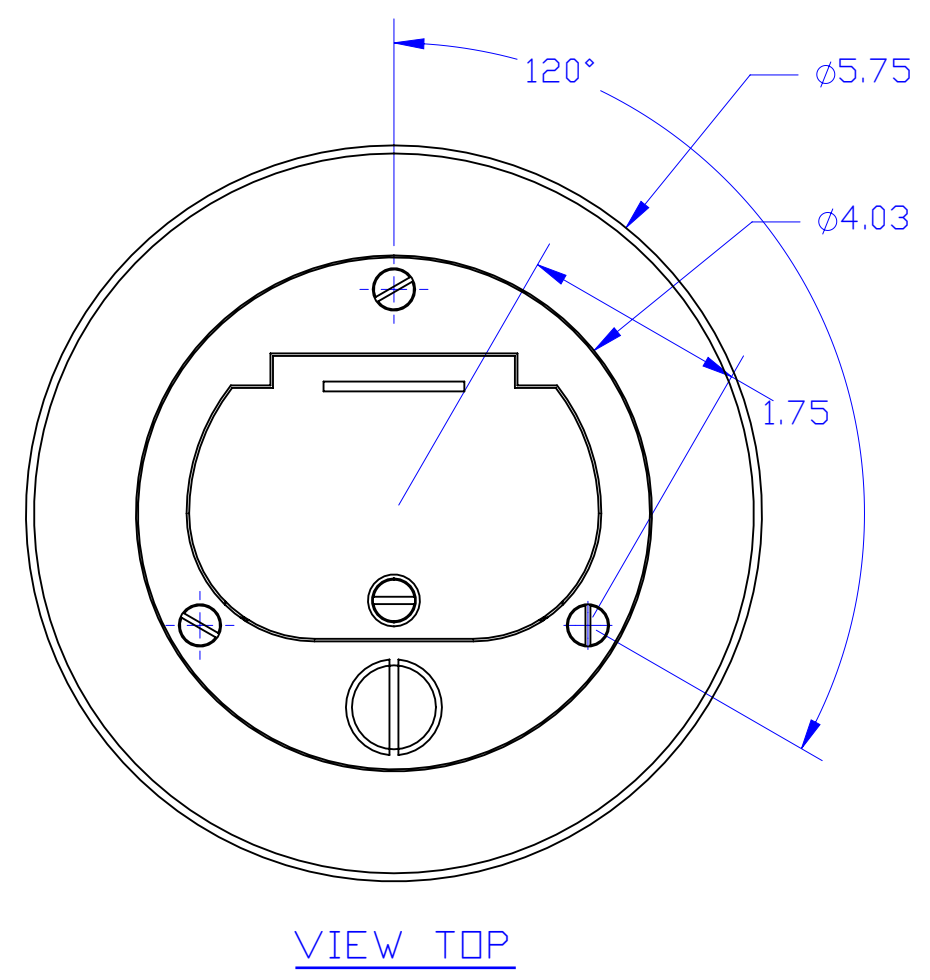
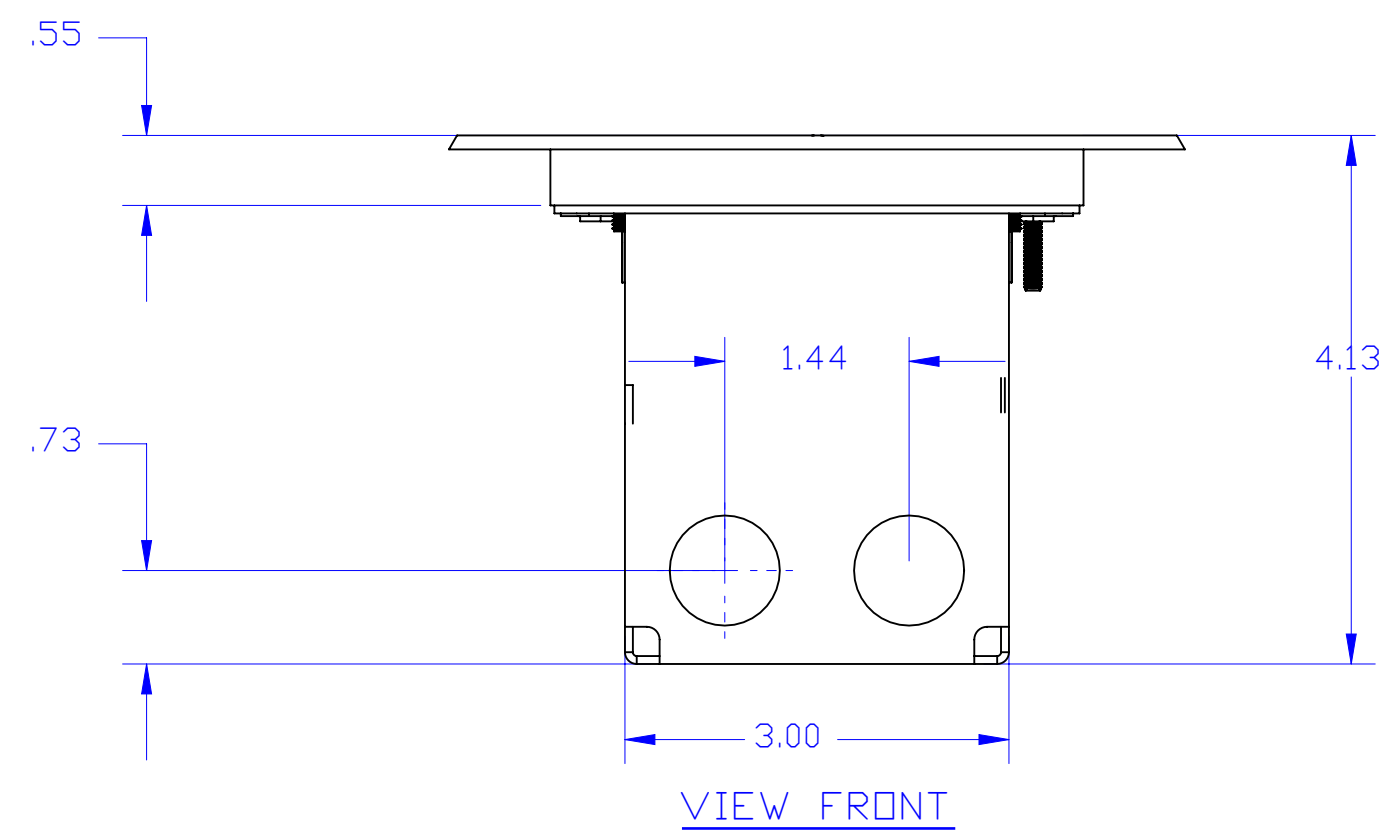


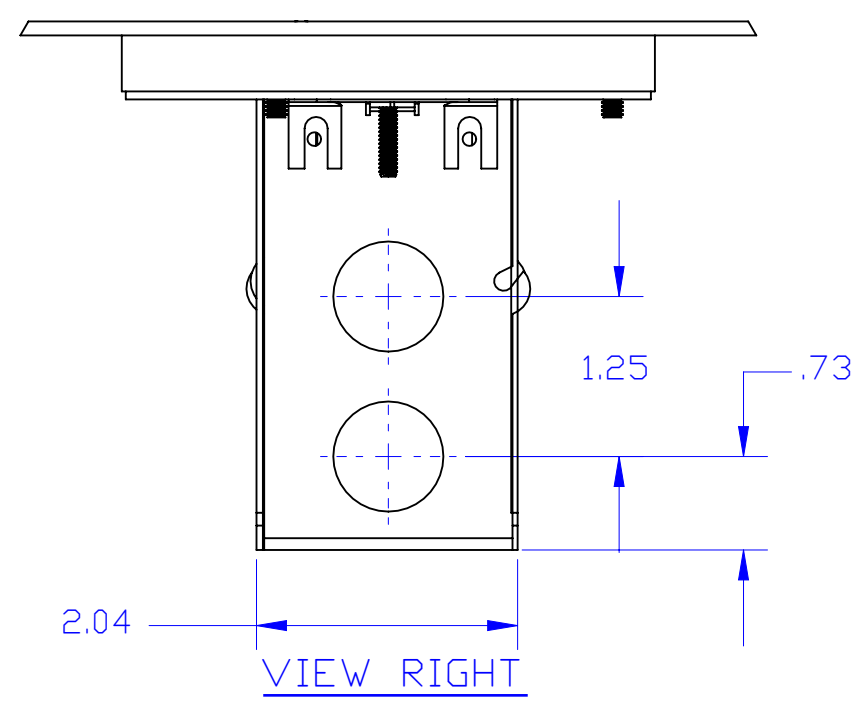
DESCRIPTION:
 RECESSED STAMPED STEEL BOX ASSEMBLY
 WITH 5 3/4" 4 3/8" SIDES (8) 1/2" 18 CU.
 IN. WITH DFB-1-1/2 BRASS COVER AND
 COMMUNICATION MOUNTING PLATE BOTTOM (1)
 1/2"



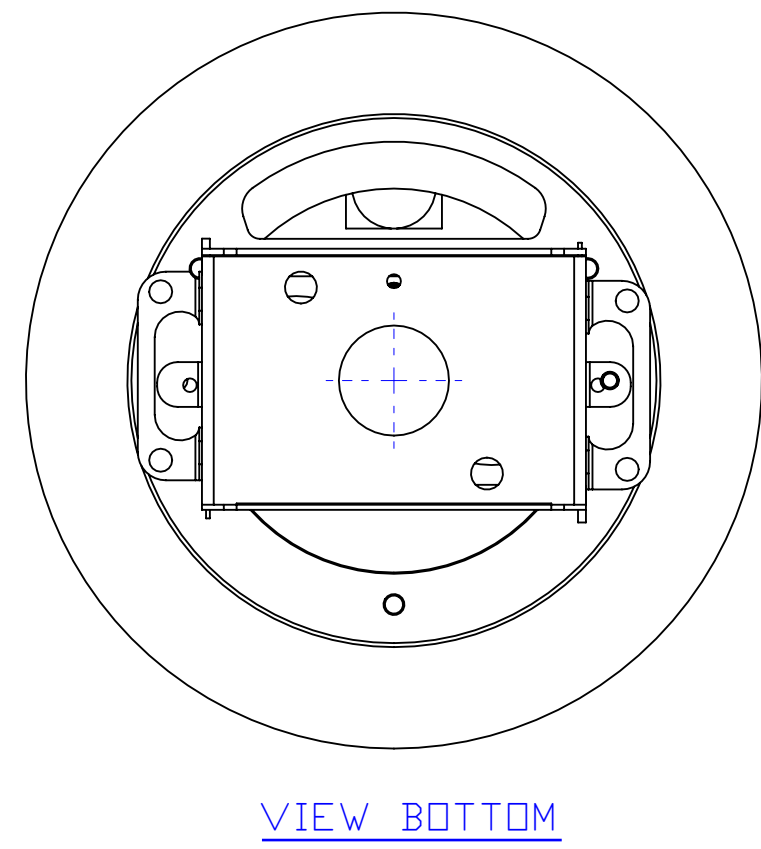
VIEW TOP



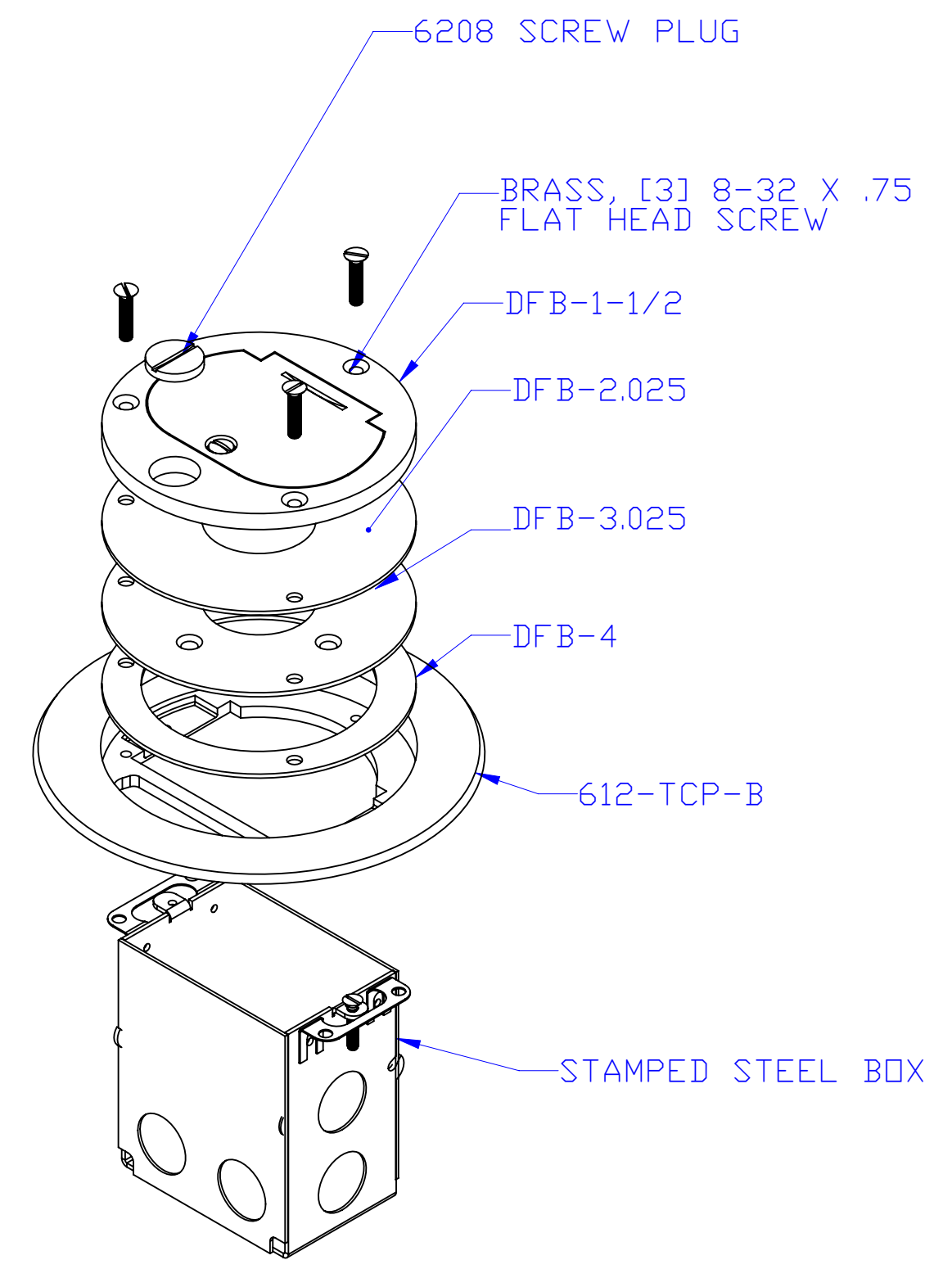
VIEW FRONT

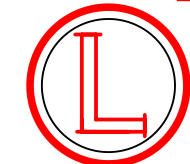


VIEW RIGHT



VIEW BOTTOM





**LEW ELECTRIC
 FITTINGS COMPANY**
 SERVING THE ELCTRICAL INDUSTRY SINCE 1901

1801 W. St. Charles Rd. Maywood, IL 60153
 PHONE: 708-345-2075

UNLESS OTHERWISE SPECIFIED:		NAME	DATE
DIMENSIONS ARE IN INCHES		DRAWN	P.J.G. 12/31/2007
TOLERANCES:		TITLE: 612-RSS-1-TEL	
FRACTIONAL ±			
ANGULAR: MACH ± BEND ±			
TWO PLACE DECIMAL ±			
THREE PLACE DECIMAL ±		REV A	
INTERPRET GEOMETRIC TOLERANCING PER:		COMMENTS:	
MATERIAL		SIZE DWG. NO.	
FINISH		C 1001750	
DO NOT SCALE DRAWING		WEIGHT: SHEET 5 OF 12	