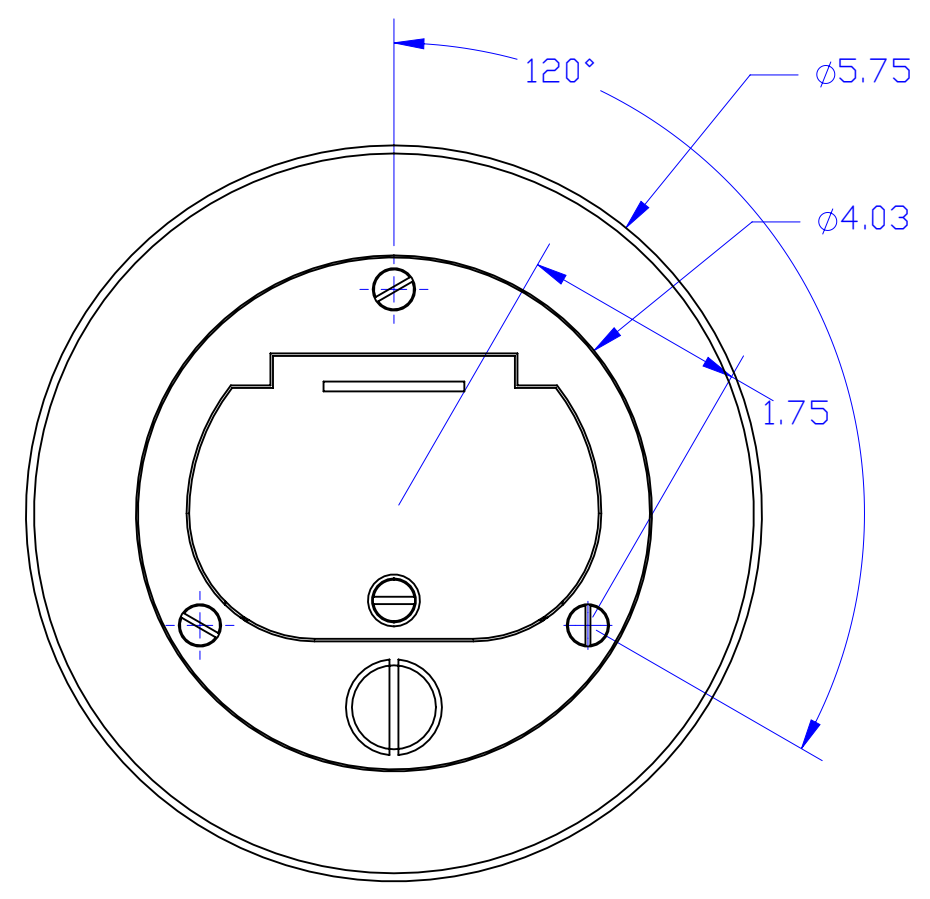
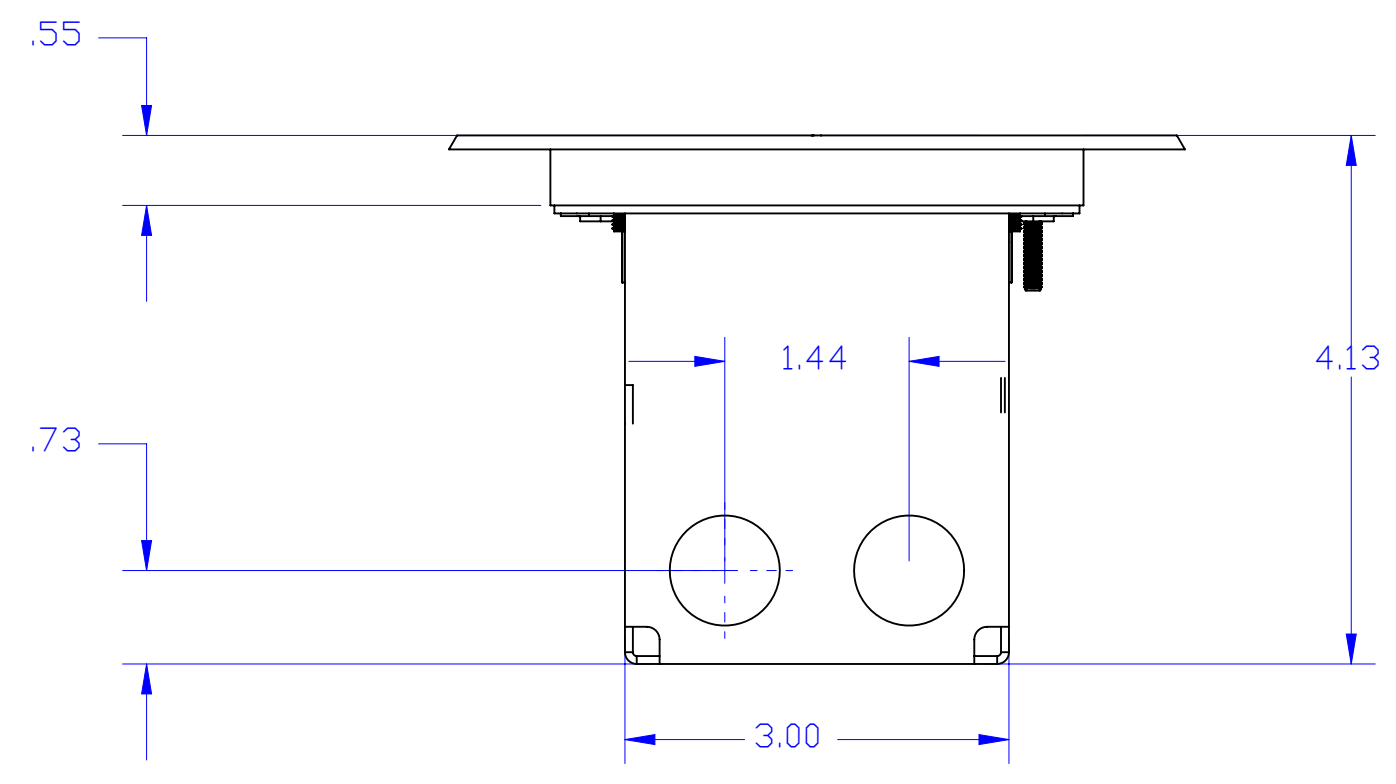


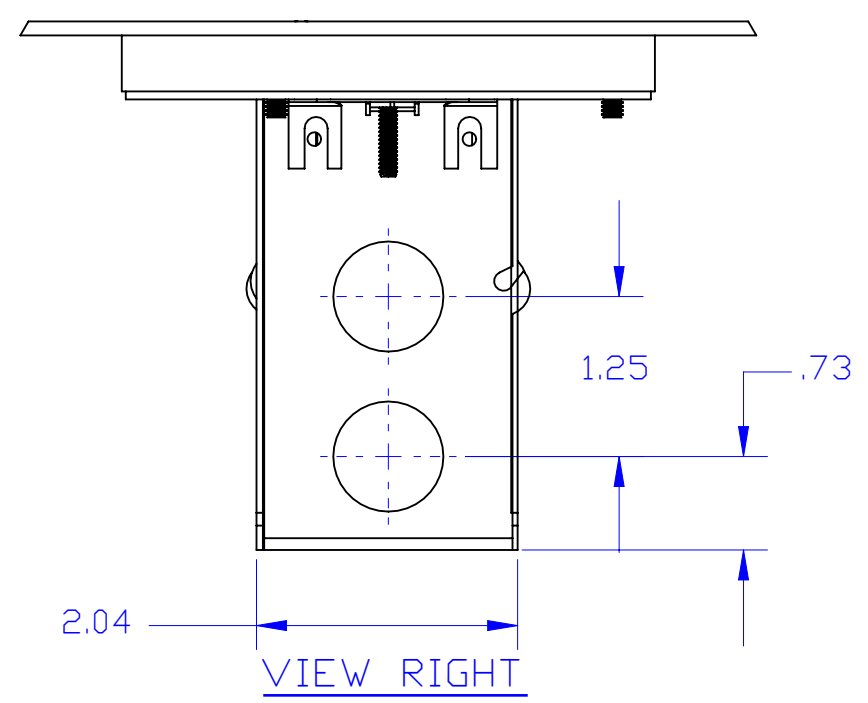
DESCRIPTION:  
 RECESSED STAMPED STEEL BOX ASSEMBLY  
 WITH 5 3/4" 4 3/8" SIDES (8) 1/2" 18 CU.  
 IN. WITH DFB-1-1/2 BRASS COVER AND  
 DECORA MOUNTING PLATE BOTTOM (1) 1/2"



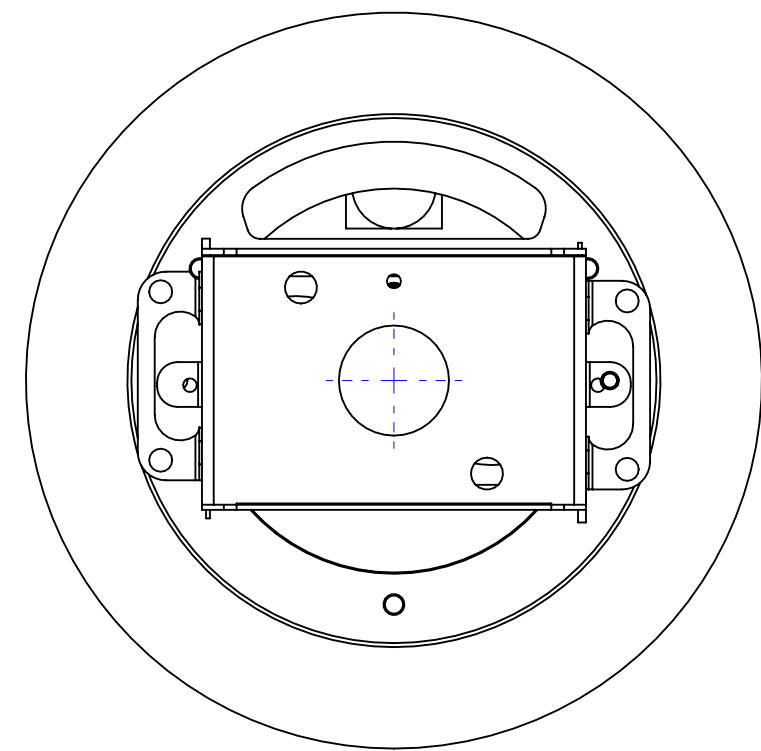
VIEW TOP



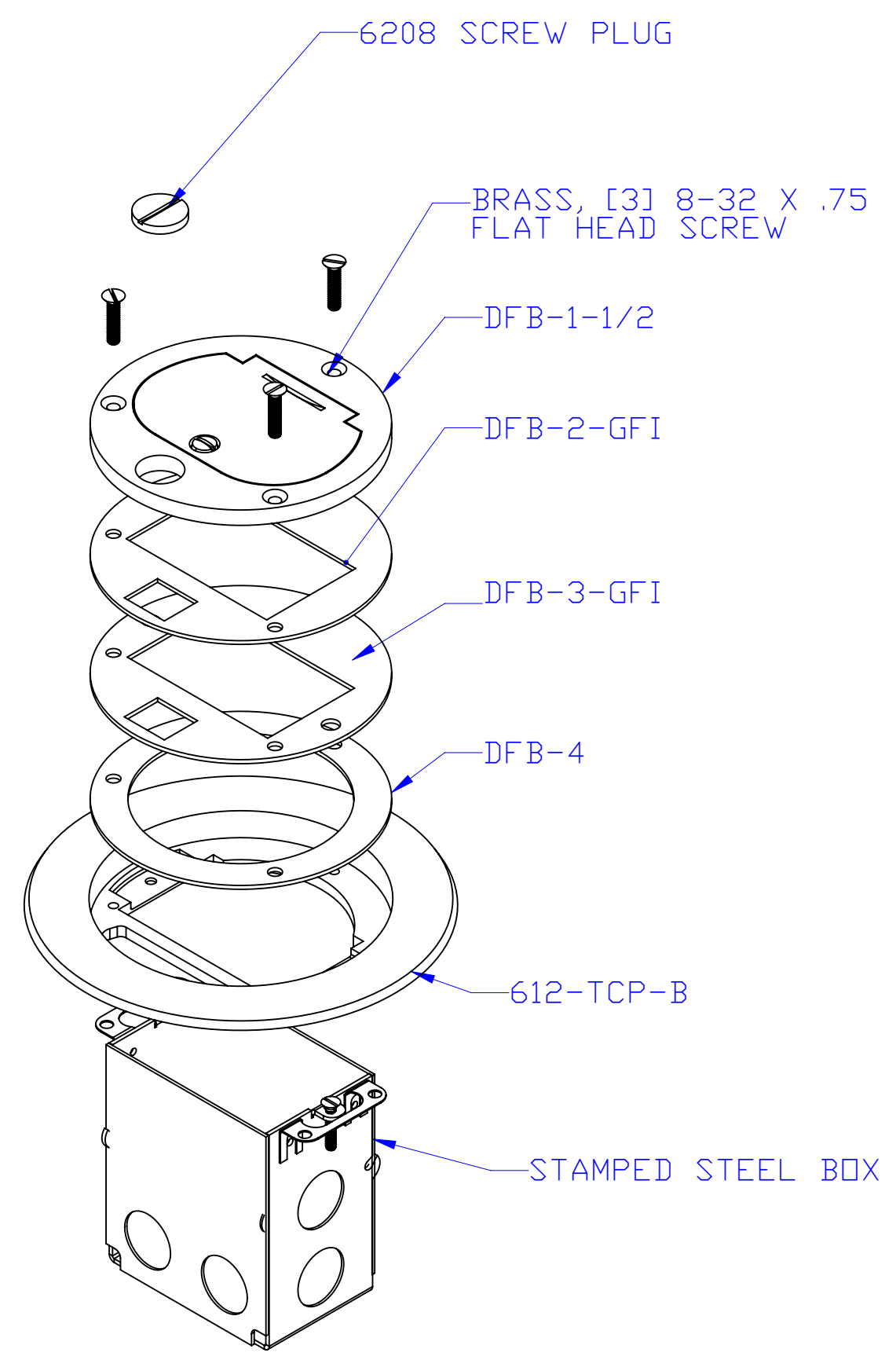
VIEW FRONT



VIEW RIGHT



VIEW BOTTOM



**LEW ELECTRIC**  
**FITTINGS COMPANY**  
 SERVING THE ELCTRICAL INDUSTRY SINCE 1901  
 1801 W. St. Charles Rd. Maywood, IL 60153  
 PHONE: 708-345-2075

UNLESS OTHERWISE SPECIFIED:		NAME	DATE	TITLE: <b>612-RSS-1-GFI</b>
DIMENSIONS ARE IN INCHES		DRAWN	P.J.G. 12/31/2007	
TOLERANCES:				SIZE DWG. NO. REV <b>C</b> 1001730 <b>A</b>
FRACTIONAL ±				
ANGULAR: MACH ± BEND ±				
TWO PLACE DECIMAL ±				WEIGHT: SHEET 3 OF 12
THREE PLACE DECIMAL ±				
INTERPRET GEOMETRIC TOLERANCING PER:		COMMENTS:		
MATERIAL:				
FINISH:				
DO NOT SCALE DRAWING				