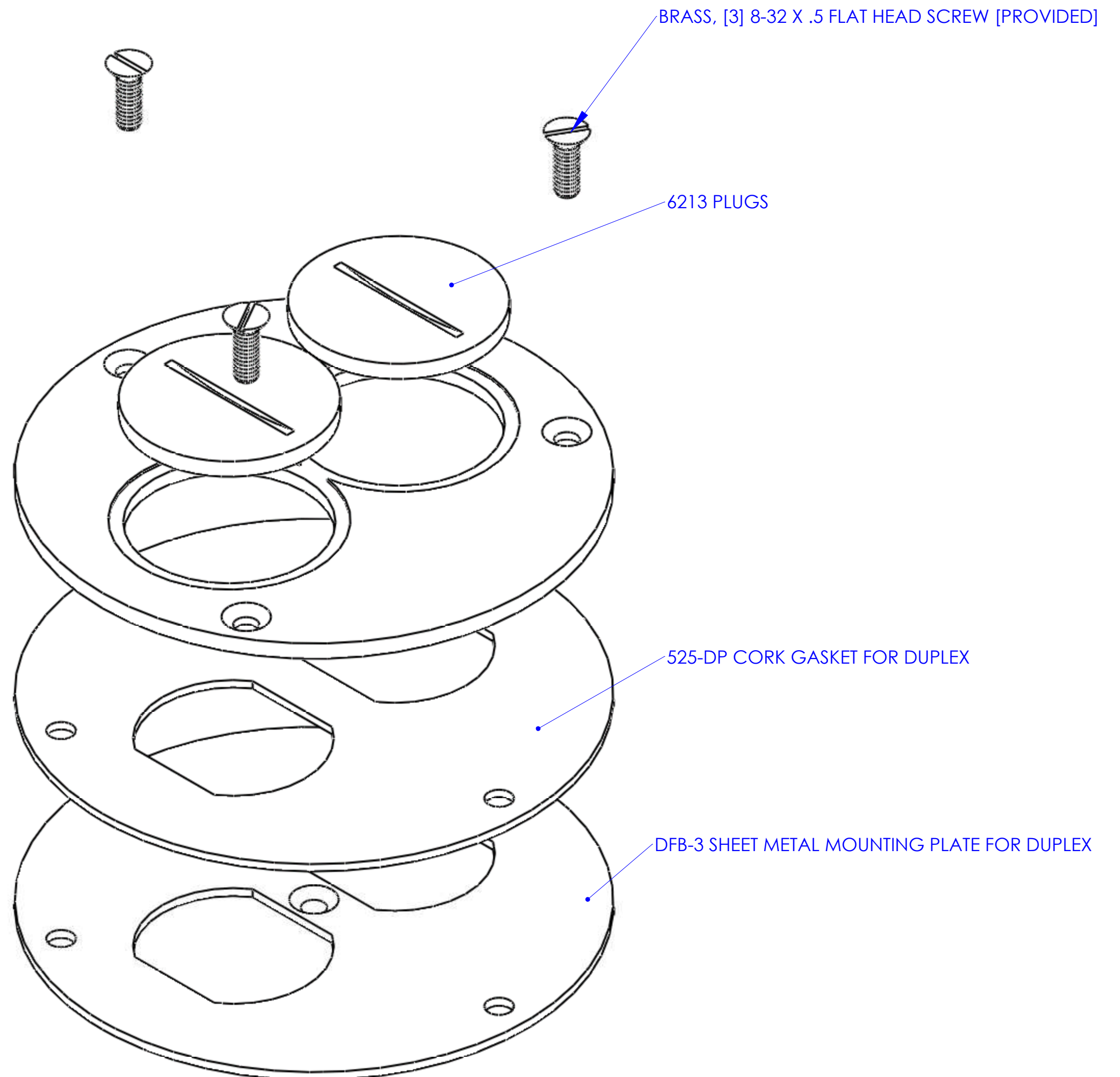
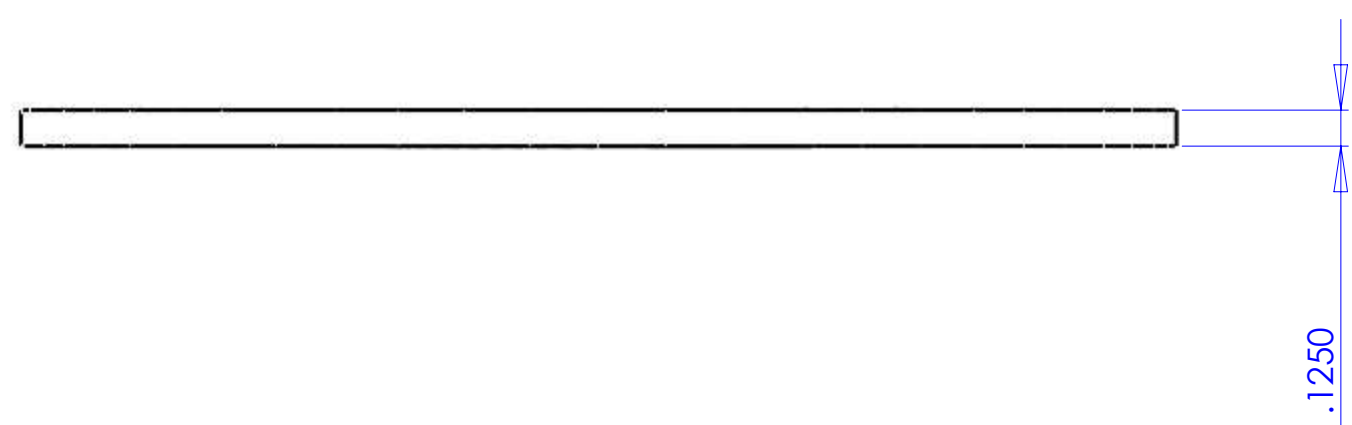
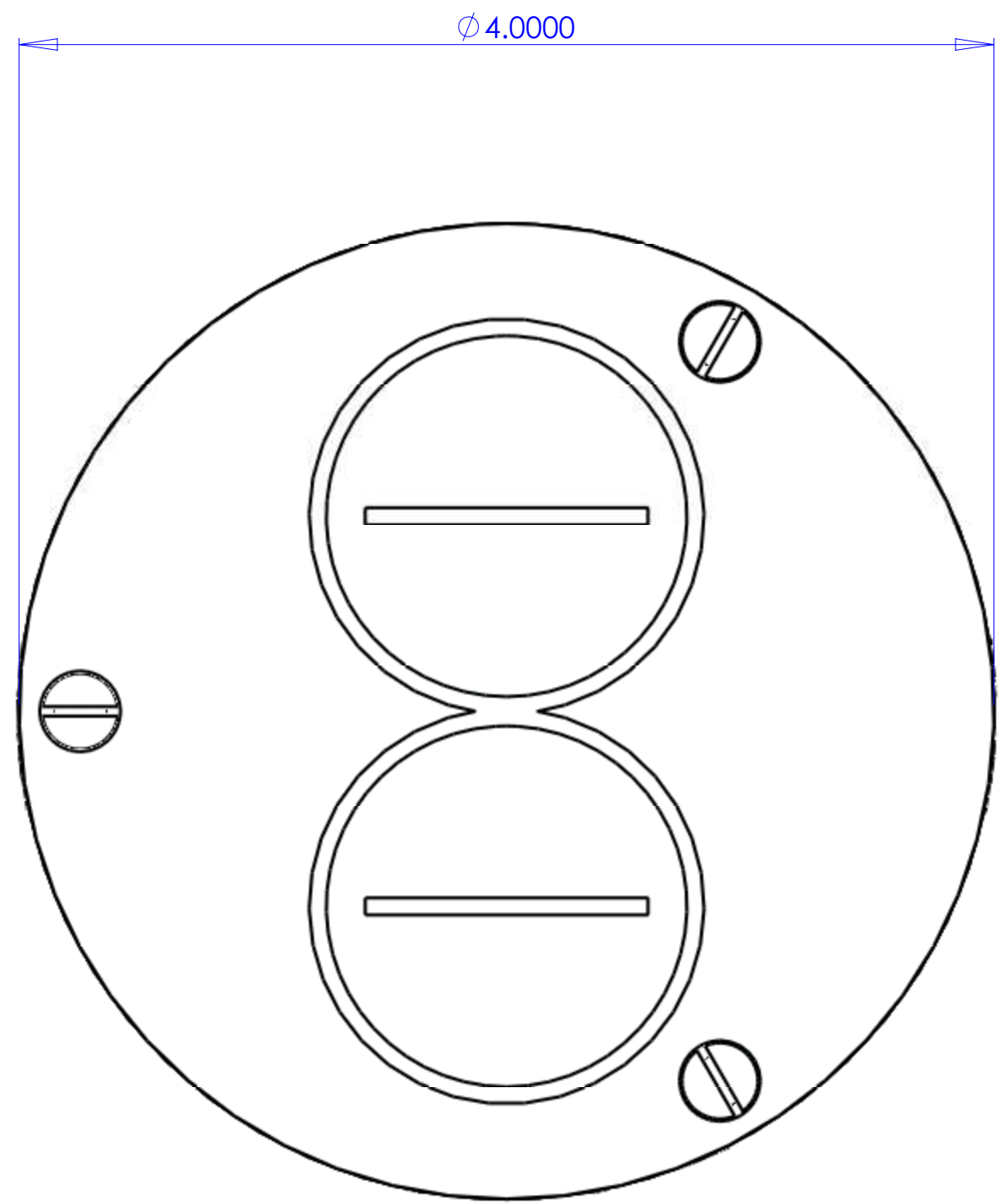


DESCRIPTION:
BRASS, 4" COVER (1/8" THICK) WITH (2) 1-1/2" SCREW PLUGS
FOR DUPLEX

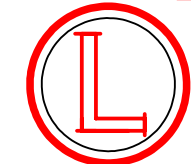


BRASS, [3] 8-32 X .5 FLAT HEAD SCREW [PROVIDED]

6213 PLUGS

525-DP CORK GASKET FOR DUPLEX

DFB-3 SHEET METAL MOUNTING PLATE FOR DUPLEX



LEW ELECTRIC
FITTINGS COMPANY
SERVING THE ELECTRICAL INDUSTRY SINCE 1901
1801 W. St. Charles Rd. Maywood, IL 60153
PHONE: 708-345-2075

UNLESS OTHERWISE SPECIFIED:	NAME	DATE	
DIMENSIONS ARE IN INCHES	DRAWN	PJG	9/25/2007
TOLERANCES:			
FRACTIONAL ±			
ANGULAR: MACH ± BEND ±			
TWO PLACE DECIMAL ±			
THREE PLACE DECIMAL ±			
INTERPRET GEOMETRIC TOLERANCING PER:			
MATERIAL	COMMENTS:		
FINISH			
DO NOT SCALE DRAWING			

TITLE:
523-DP

SIZE DWG. NO. REV
C 100123 **A**

WEIGHT:

SHEET 9 OF 13