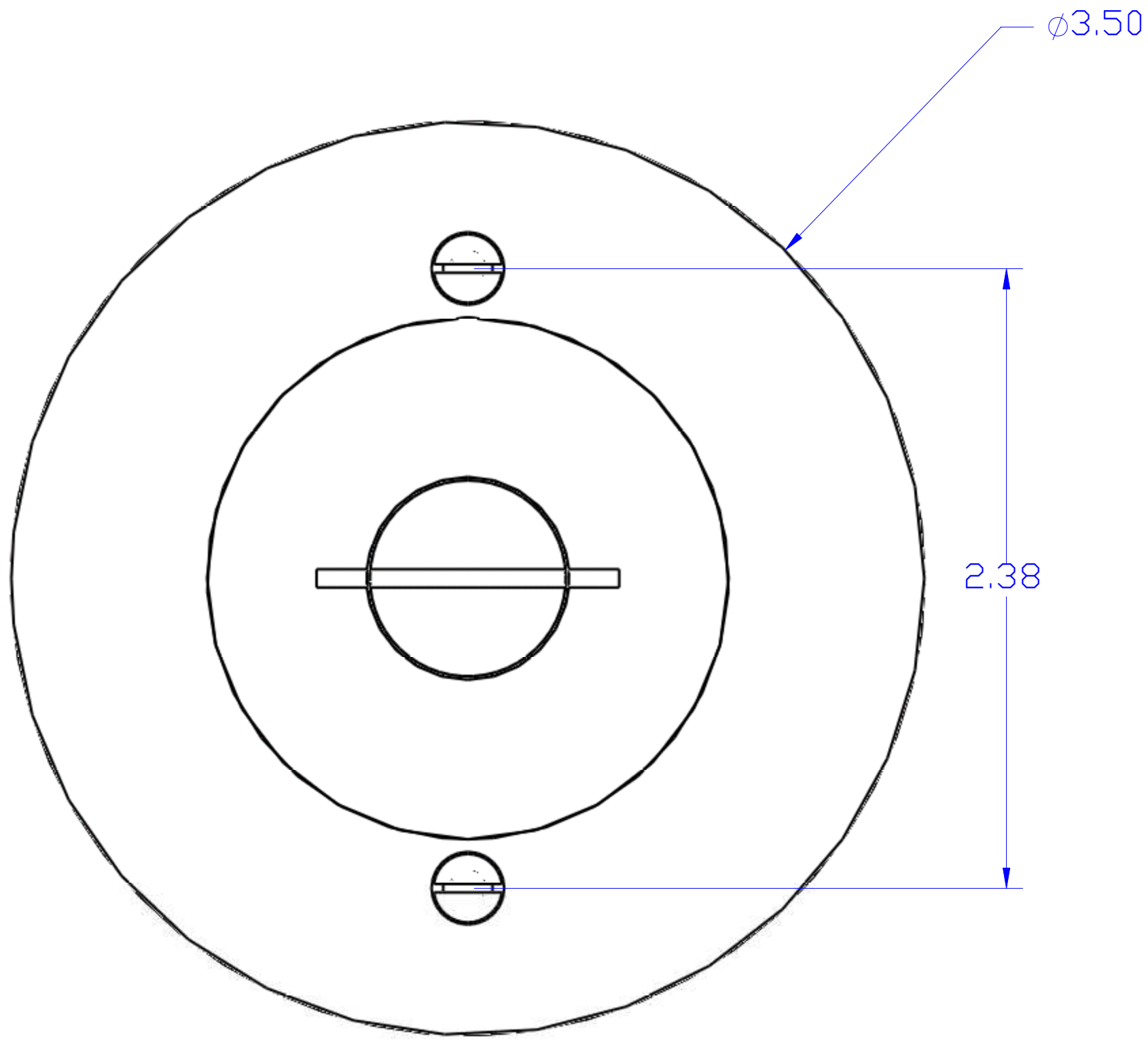
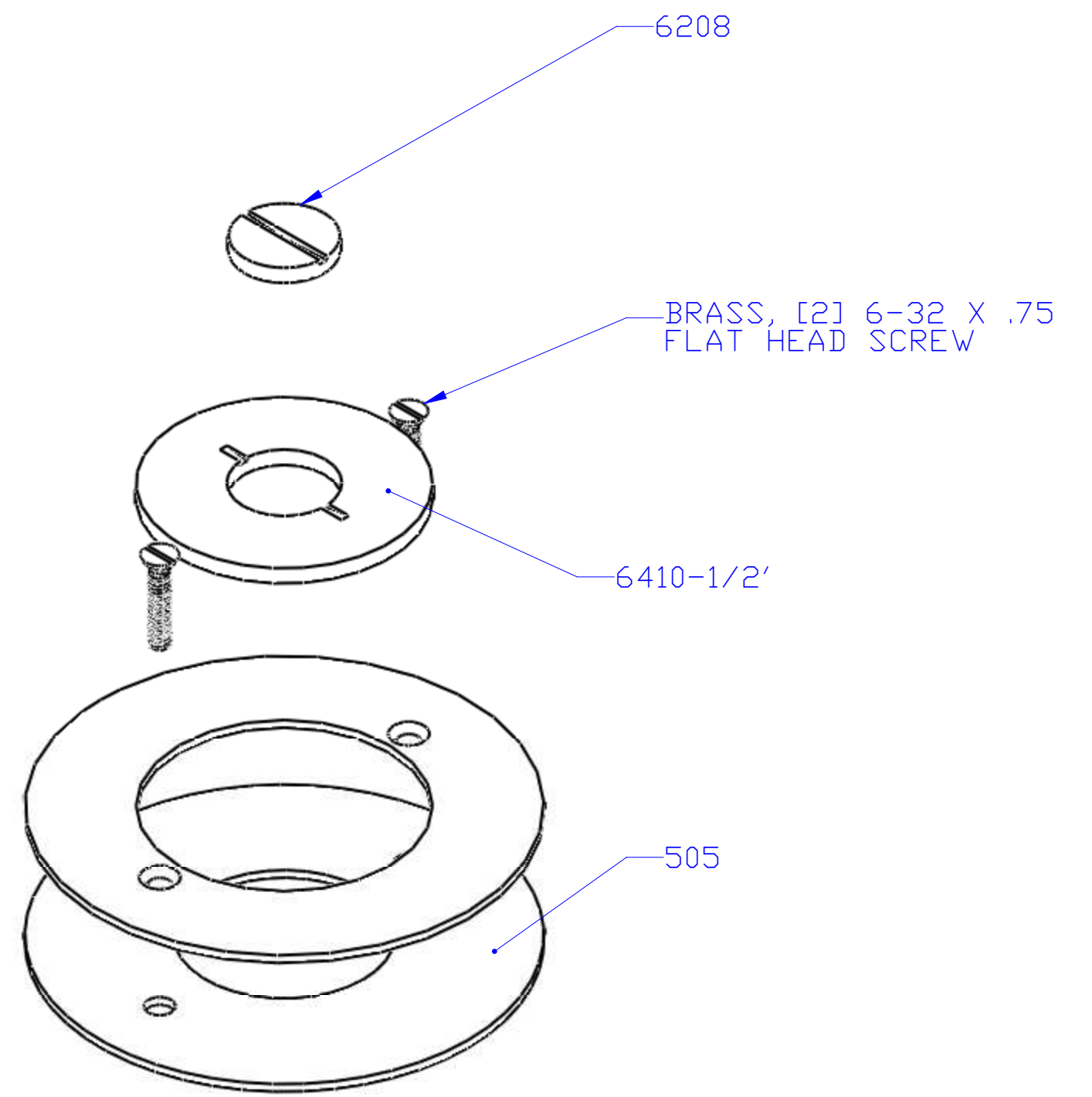


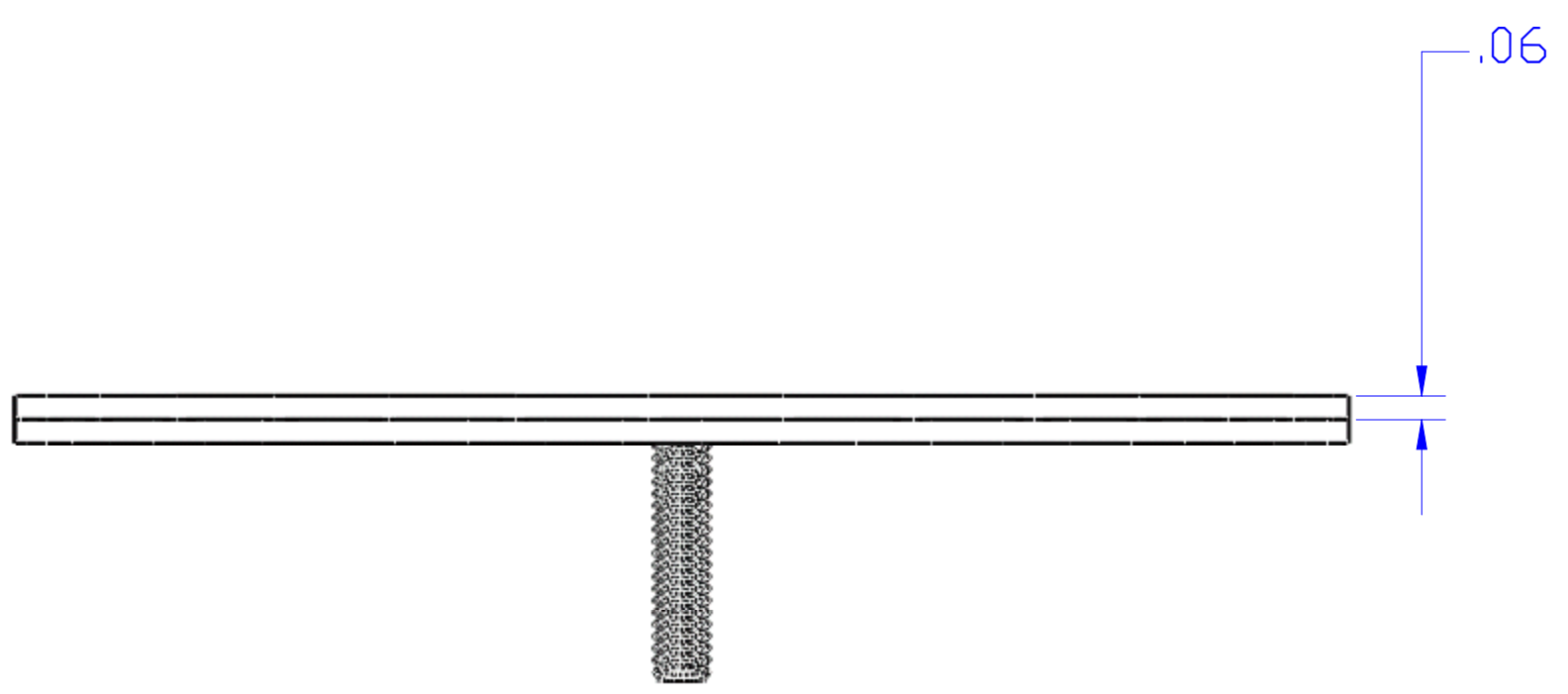
DESCRIPTION:
BRASS 3 1/2" COVER WITH 6410-1/2



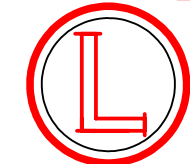
TOP VIEW



ISOMETRIC VIEW (EXPLODED)



FRONT VIEW



**LEW ELECTRIC
FITTINGS COMPANY**
SERVING THE ELCTRICAL INDUSTRY SINCE 1901
1801 W. St. Charles Rd. Maywood, IL 60153
PHONE: 708-345-2075

UNLESS OTHERWISE SPECIFIED:		NAME	DATE	TITLE: 503
DIMENSIONS ARE IN INCHES		DRAWN	P.J.G. 12/30/2007	
TOLERANCES:				SIZE DWG. NO. REV C 100202 A
FRACTIONAL: ±				
ANGULAR: MATCH ± BEND ±				
TWO PLACE DECIMAL ±				
THREE PLACE DECIMAL ±				WEIGHT:
INTERPRET GEOMETRIC TOLERANCING PER:		COMMENTS:		SHEET 3 OF 4
MATERIAL:				
FINISH:				
DO NOT SCALE DRAWING				