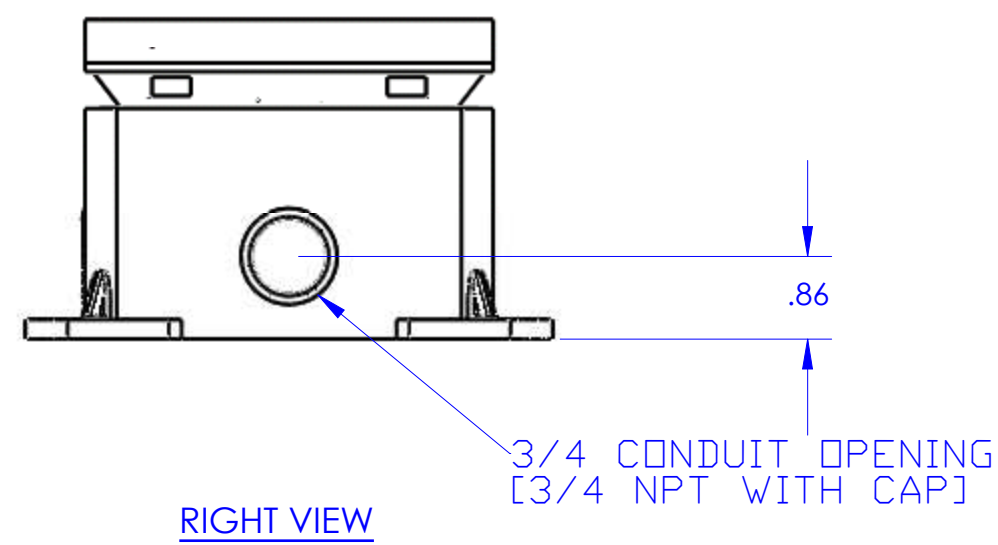
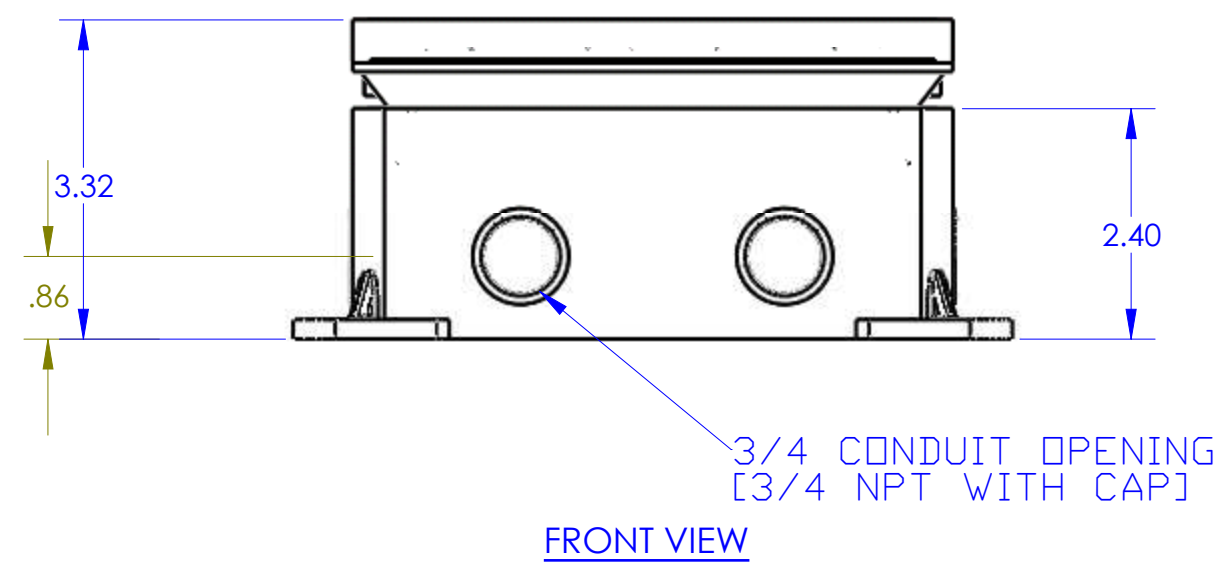
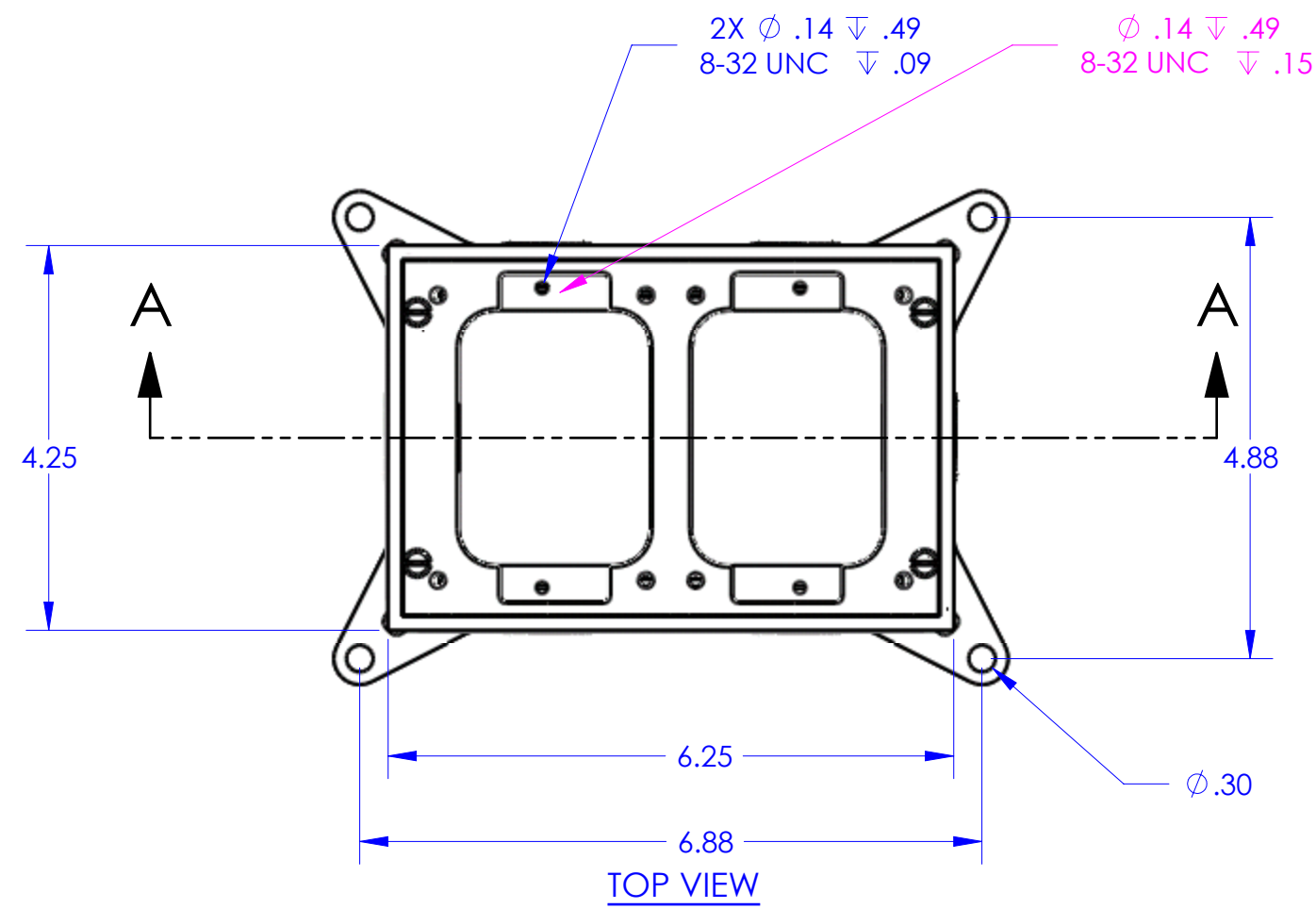
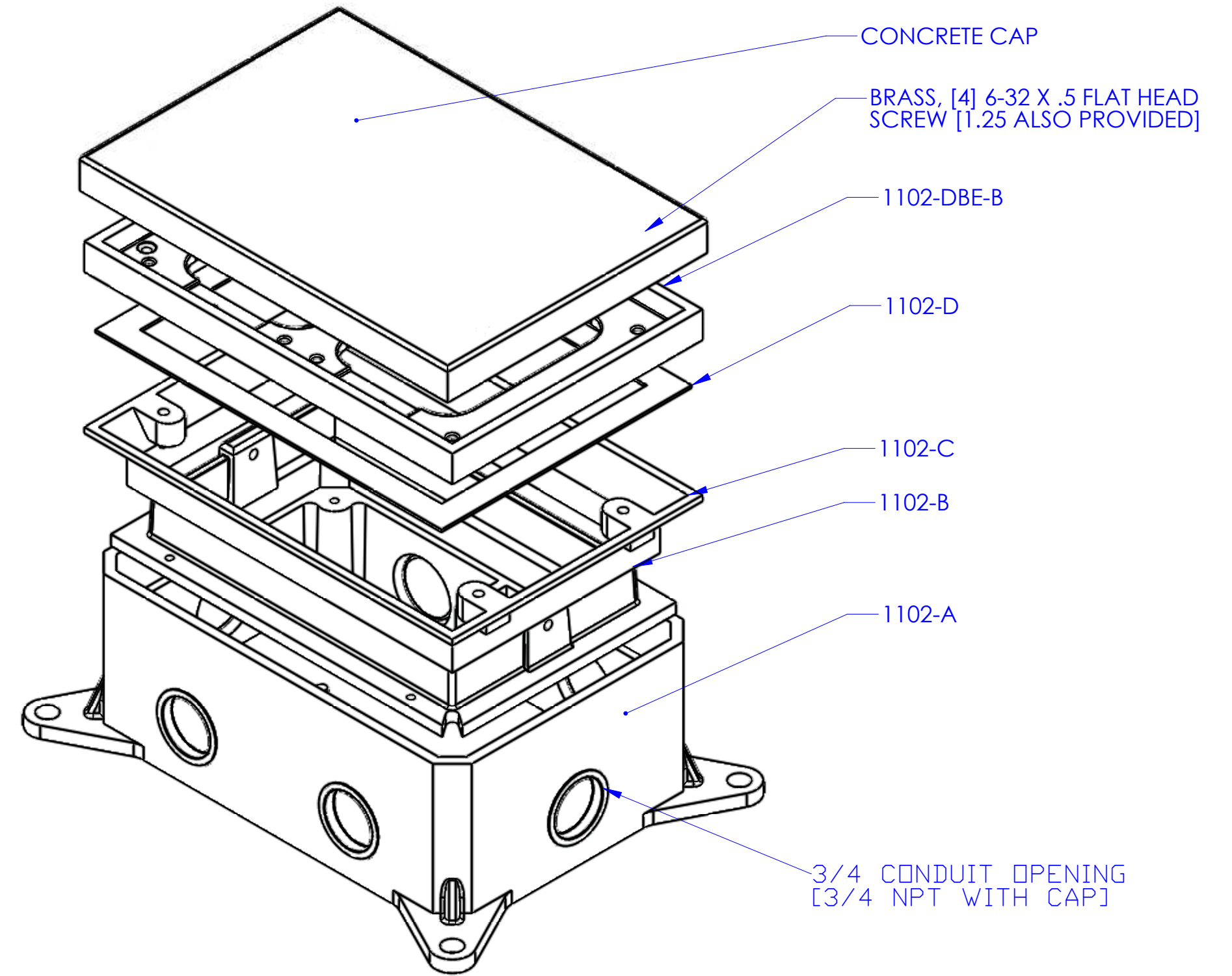
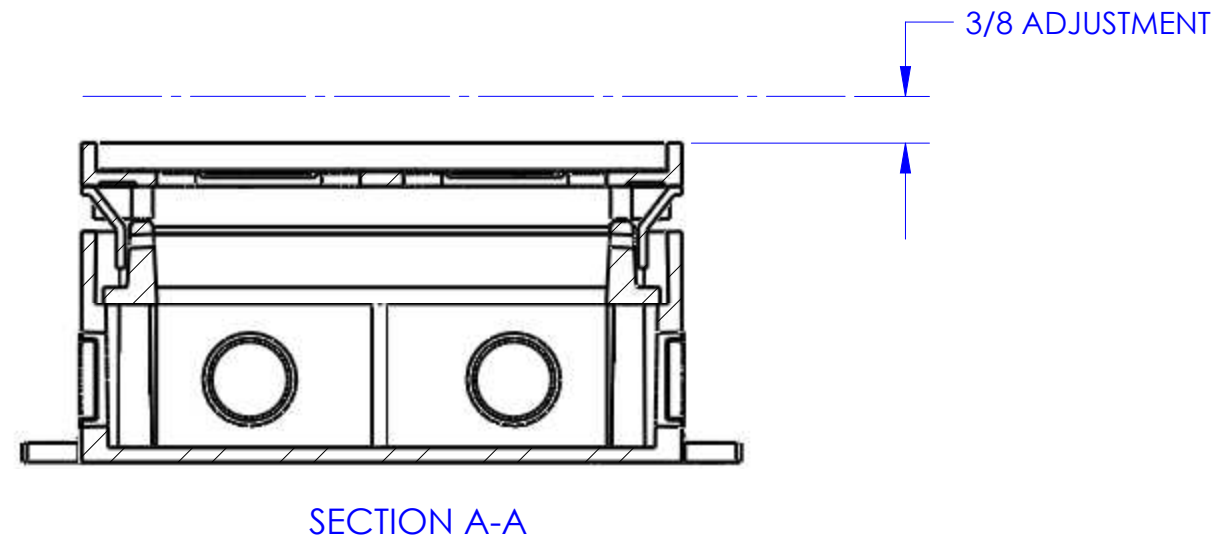
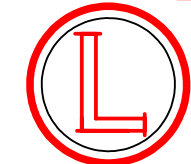


DESCRIPTION:  
BRASS, DEEP, TWO GANG CAST BOX (PARTIONED)-FULLY  
ADJUSTABLE





**LEW ELECTRIC  
FITTINGS COMPANY**  
SERVING THE ELCTRICAL INDUSTRY SINCE 1901

1801 W. St. Charles Rd. Maywood, IL 60153  
PHONE: 708-345-2075

UNLESS OTHERWISE SPECIFIED:		NAME	DATE
DIMENSIONS ARE IN INCHES		DRAWN	PJG 8/30/2007
TOLERANCES:			
FRACTIONAL: $\pm$			
ANGULAR: MACH $\pm$ BEND $\pm$			
TWO PLACE DECIMAL $\pm$			
THREE PLACE DECIMAL $\pm$			
INTERPRET GEOMETRIC TOLERANCING PER:		COMMENTS:	
MATERIAL			
FINISH			
DO NOT SCALE DRAWING			

**TITLE:**  
**1102-58**

SIZE <b>A</b>	DWG. NO. 1001400	REV <b>A</b>
WEIGHT:		SHEET 3 OF 12